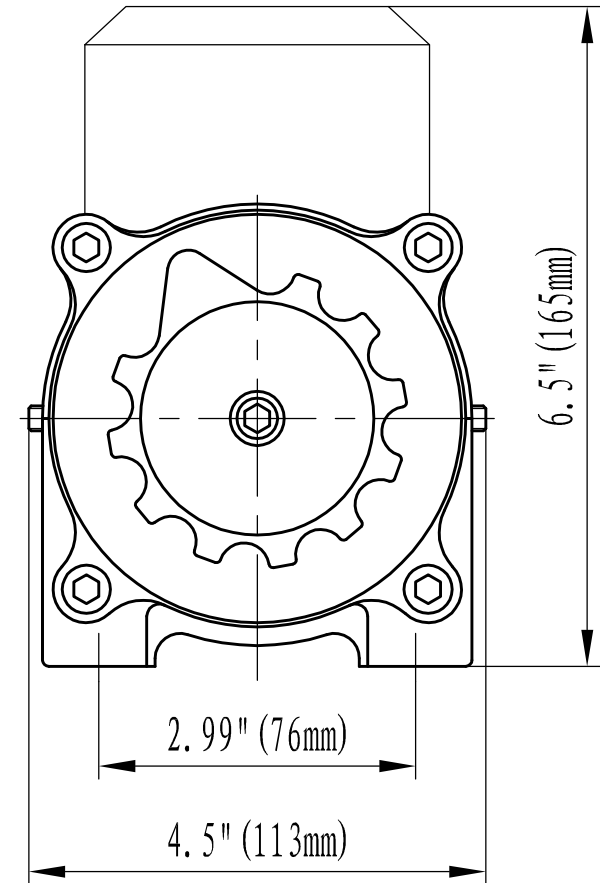
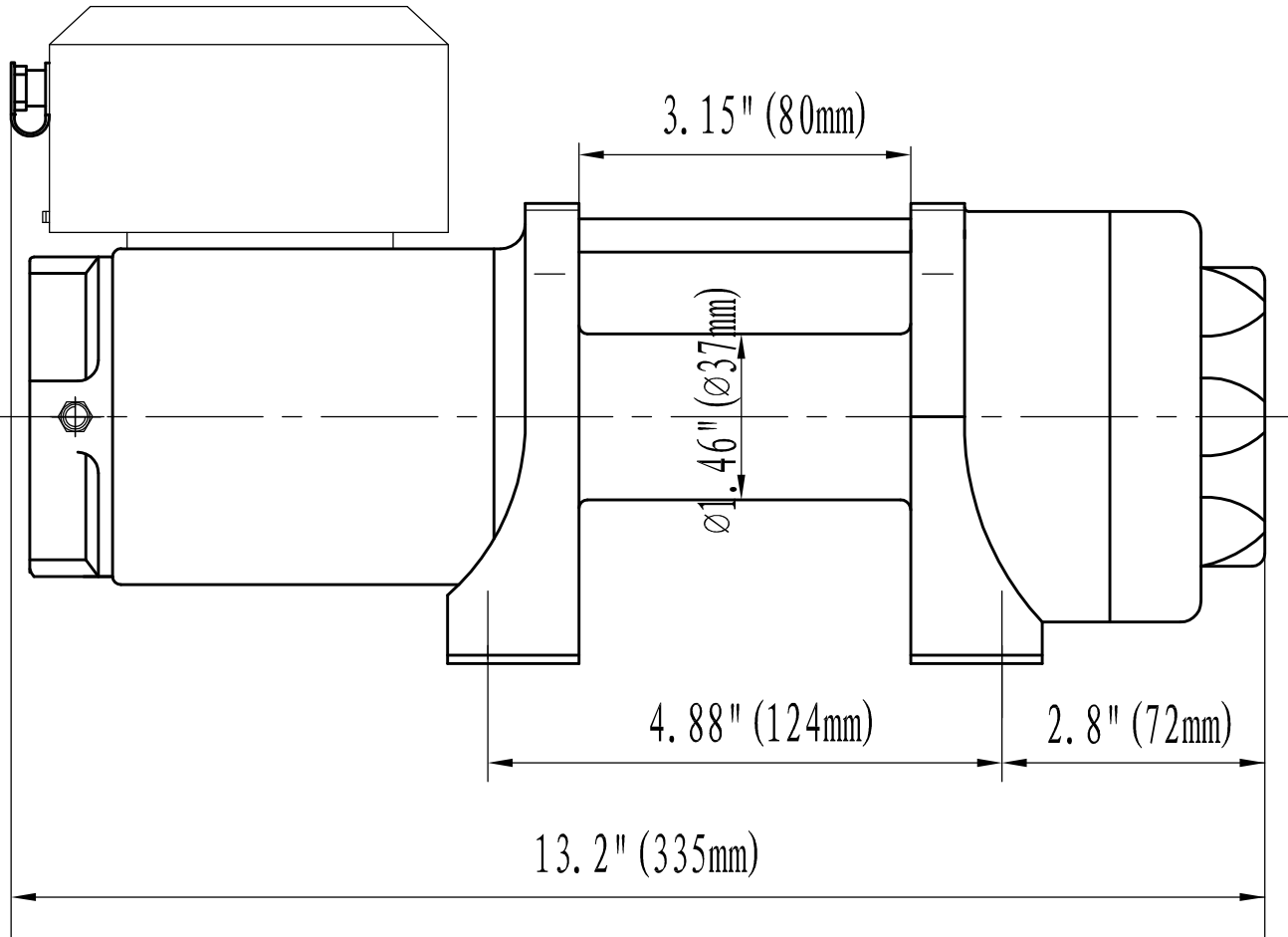




C2 500 A TECHNICAL DIAGRAM



VALUE WITHOUT COMPROMISE