

SWLSHER®

CHANGING YOUR LANDSCAPE
SINCE 1945

Owner's Manual

Plow Blade
2850



ATV ACCESSORIES

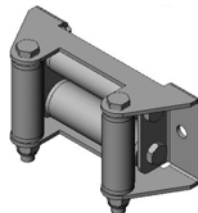
Sold as Separate Pieces!!!!



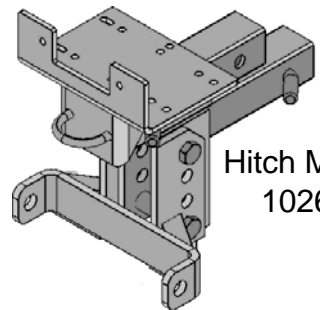
IMPORTANT
Read and follow all
Safety Precautions
and Instructions
Before Operating this
Equipment.



Universal Mount
2646



Fairlead Roller
8003



Hitch Mount
10260

Made In The
USA

LIMITED WARRANTY

The manufacturer's warranty to the original consumer purchaser is: This product is free from defects in materials and workmanship for a period of one (1) year from the date of purchase by the original consumer purchaser. We will repair or replace, at our discretion, parts found to be defective due to materials or workmanship. This warranty is subject to the following limitations and exclusions:

- 1) Commercial Use The warranty period for any product used for commercial or rental is limited to ninety (90) days from the date of original purchase.

- 2) Limitations This warranty applies only to products which have been properly assembled, adjusted, and operated in accordance with the instructions contained within this manual. This warranty does not apply to any product of Swisher, that has been subject to alteration, misuse, abuse, improper assembly or installation, or shipping damage.

- 3) Exclusions Excluded from this warranty are normal wear, normal adjustments, and normal maintenance.

In the event you have a claim under this warranty, you must return the product to an authorized service dealer. All transportation charges, damage, or loss incurred during transportation of parts submitted for replacement or repair under this warranty shall be borne by the purchaser. Should you have any questions concerning this warranty, please contact us toll-free at 1-800-222-8183. The model number, serial number, date of purchase, and the name of the authorized Swisher dealer from whom you purchased the product will be needed before any warranty claim can be processed.

THIS WARRANTY DOES NOT APPLY TO ANY INCIDENTAL OR CONSEQUENTIAL DAMAGES AND ANY IMPLIED WARRANTIES ARE LIMITED TO THE SAME TIME PERIODS STATED HEREIN FOR ALL EXPRESSED WARRANTIES.

Some states do not allow the limitation of consequential damages or limitations on how long an implied warranty may last, so the above limitations or exclusions may not apply to you. This warranty gives you specific legal rights and you may have other rights, which vary from state-to-state. This is a limited warranty as defined by the Magnuson-Moss Act of 1975.

SAFETY PRECAUTIONS



This Safety Alert Symbol indicates important messages in this manual. When you see this symbol, carefully read the message that follows and be alert to the possibility of personal injury.

Read this manual completely. Failure to observe the following safety instructions could result in serious injury or death.

- Read the manual. Learn to operate this machine safely.
- Keep the operating speed **LOW!!!!**
- Allow only responsible adults who are familiar with these instructions to operate this machine. Never allow children to operate this machine.
- Be sure the area is clear of other people before operating. Children are often attracted to the machine and the operating activity. ***Never assume that children will remain where you last saw them.*** Keep children under the watchful care of another responsible adult.
- Watch for traffic when operating near or crossing roadways.
- Do not operate the attachment if it has been dropped or damaged in any manner. Repair as necessary.
- Dress properly. Do not operate when barefoot or wearing open sandals.
- Do not operate the machine while under the influence of alcohol or drugs.
- Never tamper with safety devices. Check their proper operation regularly.
- Do not operate over 5 MPH (8KMH)
- Operate attachments up and down slopes. There is significant risk of overturns when operating across slopes.
- Stop and inspect the equipment if you strike an object. Repair, if necessary, before restarting.
- Never make adjustments or repairs with the engine running.



TO ENSURE PROPER ASSEMBLY, CAREFULLY FOLLOW ALL INSTRUCTIONS LISTED BELOW

REFER TO FIGURES 1 AND 2 WHILE ASSEMBLING THIS PORTION OF THE PLOW ATTACHMENT

1. *Unpack parts and make sure all are included. If they are not contact the dealer where the Swisher Plow was purchased.*
2. *Locate the pivot weldment (2) and assemble to the blade (3) using two ½-13 X 2" bolts (14) two ½-13 nyloc nuts (8) and two bushing (32) as shown. It is important to assure these two bushings are installed between the blade and pivot to allow for the correct rotation of the pivot.*
3. *Assemble the tilt blocks (4) to the pivot weldment using two ½-13 X 2" bolts (14) and two ½-13 nyloc nuts (8).*
4. *Assemble two 3/8-16 nuts (19) to two eye-bolts (18). Assemble the eye-bolts into the holes at the top of the blade. Secure with two 3/8 washers (20) two 3/8 -16 nuts (12). Place plastic caps (35) over the remaining threads of the eye-bolts.*
5. *Attach the tilt springs (26) to the eye-bolts and to the tabs on the pivot weldment (2). See Figure 1 below.*
6. *Connect the skids (31) through the channels on the outer edges of the blade. Adjust their height with clevis pin (17) and hair pin (16).*

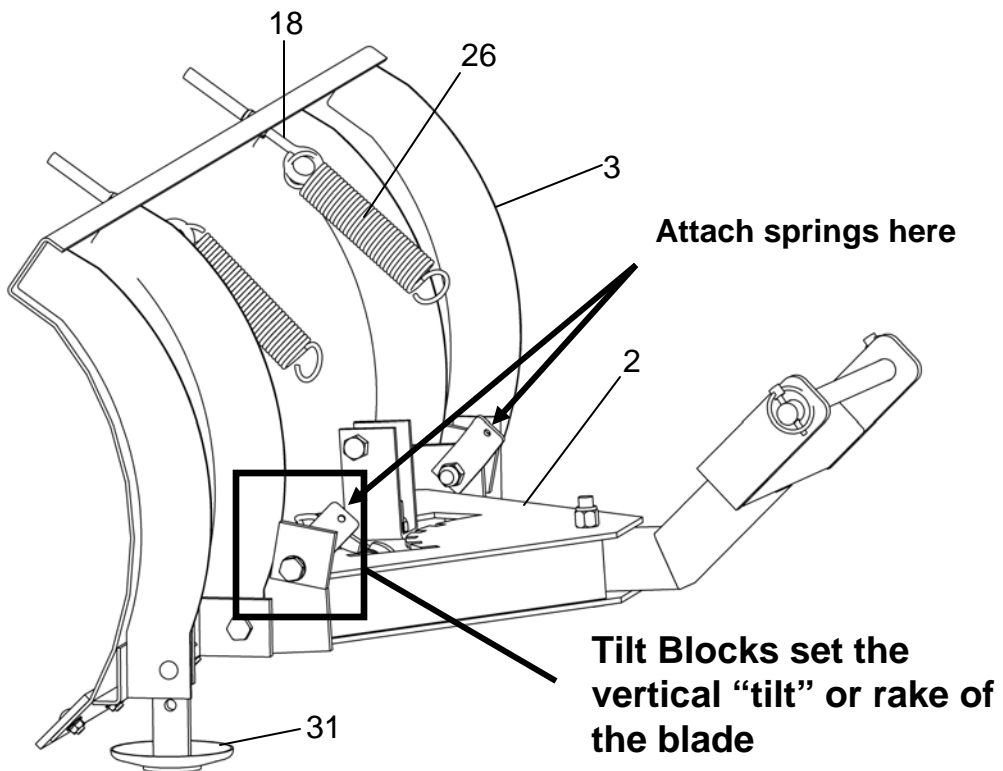
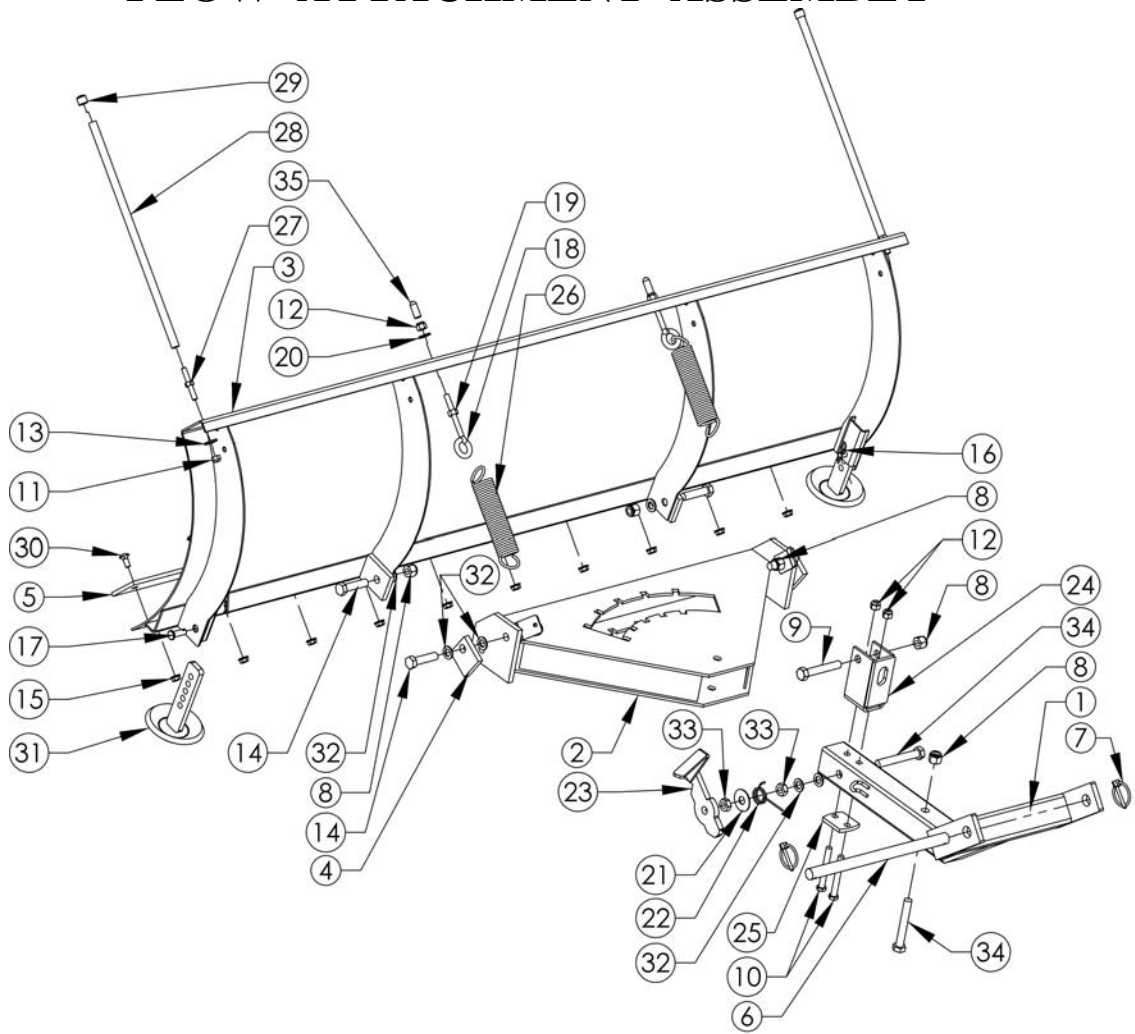


Figure 1

PLOW ATTACHMENT ASSEMBLY



| ITEM NO. | QTY. | PART NO. | DESCRIPTION | ITEM NO. | QTY | PART NO. | DESCRIPTION |
|----------|------|----------|------------------------------|----------|-----|----------|-------------------------------|
| 1 | 1 | 2588TK | Mount - Plow | 19 | 2 | NB212 | Nut - HNC, 3/8-16 |
| 2 | 1 | 2323TK | Pivot - Weldment | 20 | 2 | NB272 | Washer - SAE Flat 3/8 |
| 3 | 1 | 2139TK | Blade - Rolled Weldment, 62" | 21 | 1 | TR150W | Washer - .531 X 1.5 |
| 4 | 2 | 2331TK | Block - Tilt | 22 | 1 | 2336 | Spring - Pivot |
| 5 | 1 | 2099TK | Edge - Cut, Reversible; 62" | 23 | 1 | 2840TK | Latch - Lever Assembly |
| 6 | 1 | 2642TK | Pin - Plow Mount, 3/4 X 12 | 24 | 1 | 2841TK | Bracket - Lift Assembly |
| 7 | 2 | NB506 | Pin - Lynch, 3/16 | 25 | 1 | 2310TK | Bracket - Support, Plow |
| 8 | 6 | NB281 | Nut - Nyloc 1/2-13 | 26 | 2 | 2335 | Spring - Tilt |
| 9 | 1 | NB131 | Bolt - 1/2-13 X 3 | 27 | 2 | 2955 | Marker - Mount Stud |
| 10 | 2 | NB150 | Bolt - 3/8-16 X 3 | 28 | 2 | 2951 | Tube - Marker, Red |
| 11 | 2 | NB181 | Nut - Nyloc 5/16-18 | 29 | 2 | AS123 | Cap |
| 12 | 4 | NB182 | Nut - Nyloc 3/8-16 | 30 | 11 | 10216 | Bolt - Carriage 5/16-18 X 3/4 |
| 13 | 2 | NB556 | Washer - USS Flat, 5/16 | 31 | 2 | 10068TK | Skid - Weldment |
| 14 | 4 | NB509 | Bolt - 1/2-13 X 2 | 32 | 8 | NB177 | Washer - Mach 1/2 |
| 15 | 11 | NB170 | Nut - Serr Flange 5/16-18 | 33 | 2 | NB121 | Nut - Jam Lock, 1/2-13 |
| 16 | 2 | NB127 | Pin - Hair | 34 | 2 | NB577 | Bolt - 1/2-13 X 3 1/2 |
| 17 | 2 | NB300 | Pin - Clevis, 3/8 X 1 1/8 | 35 | 2 | AS125 | Cap - Round Vinyl, Black |
| 18 | 2 | NB635 | Eyebolt - Turned 3/8-16 X 3 | | | | |



TO ENSURE PROPER ASSEMBLY AND INSTALLATION, CAREFULLY FOLLOW ALL INSTRUCTIONS LISTED BELOW

REFER TO FIGURES 2 AND 3 WHILE ASSEMBLING AND INSTALLING THIS PORTION OF THE PLOW ATTACHMENT

The next steps need to be done in sequence:

1. Lay parts down in the order they are shown below.
2. Slide the plow mount (1) into pivot weldment (2), secure with $\frac{1}{2}$ -13 X 3 1/2 bolt (34) and $\frac{1}{2}$ -13 nyloc nut (8).
3. Assemble the Pivot Latch assembly in the order shown below. The Pivot Latch assembly consists of the following components - lock arm (23), two bushing (32), two $\frac{1}{2}$ -13 lock nut (33), Washer (21), pivot spring (26) and $\frac{1}{2}$ -13 X 3 1/2 bolt (34) to plow mount (1). Make sure the tail of the pivot spring is secured into the bent metal loop on the plow mount. See Figure 3 below. Note, the lock arm should be able to pivot freely after being assembled.
4. Bolt plow mount bracket (24) and plow bracket support (25) to plow mount (1), as shown, using two 3/8-16 X 3 bolts (10) and two 3/8-16 nyloc nuts (12).
5. Insert $\frac{1}{2}$ -13 X 3 bolt (9) into plow mount bracket (24) and secure with $\frac{1}{2}$ -13 nyloc nut (8). Do not over tighten as this can bend the plow mount bracket. This is where you will attach your winch or manual lift pulley, sold separately.
6. With your Swisher ATV Accessory Mount already installed, attach the plow using plow mount pin (6) and two 3/16 click pins (7).
7. Read Dangers on the back of the Swisher Plow and consult this manual.
8. It would be wise to become familiar with your plow using a slower speed.
9. Operating instructions are on page 7.

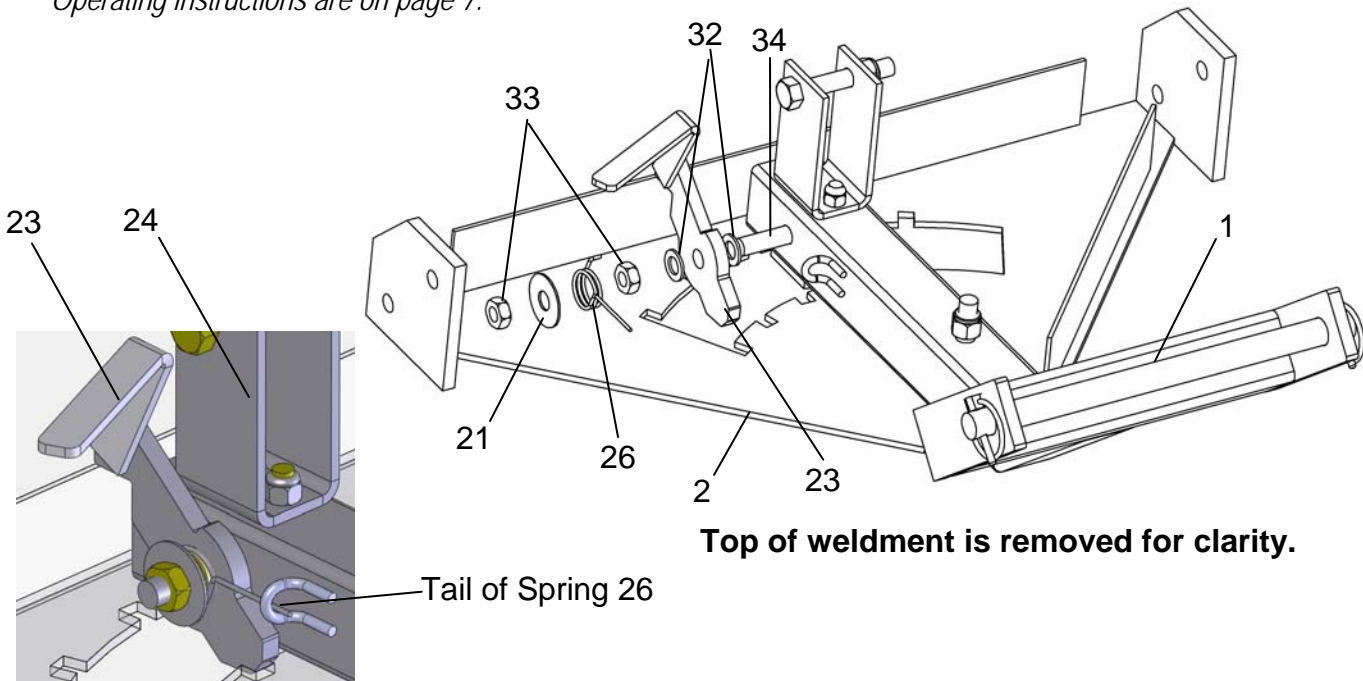


Figure 3



ADJUSTMENT AND OPERATION

PUSH YOUR PLOW AROUND!!

THE TENSION PLACED ON THE TILT SPRINGS DETERMINE THE AMOUNT OF PRESSURE THAT MUST BE APPLIED TO THE BLADE BEFORE IT FOLDS OVER IF SOMETHING IS HIT.

ADJUST THE SPRINGS BY LOOSENING THE NUTS (12) ON THE EYEBOLTS (18) AND ADJUSTING UNTIL THE BLADE DOES NOT FOLD OVER DURING NORMAL OPERATION BUT WILL FOLD IF AN OBJECT IS STRUCK.

IF YOU NEED TO CHANGE THE BLADE ANGLE WHILE OPERATING, COME TO A STOP, TURN OFF THE IGNITION AND SET THE PARKING BRAKE. RELEASE THE LOCK ARM AND ROTATE THE BLADE TO THE DESIRED ANGLE. ENGAGE THE LOCK ARM MAKING SURE IT IS SECURED INTO ONE OF THE LATCH POSITIONS.





CHANGING YOUR LANDSCAPE
SINCE 1945

Owner's Manual

Plow Blade
2850



IMPORTANT
Read and follow all
Safety Precautions
and Instructions
Before Operating this
Equipment.

ATV ACCESSORIES

WHEN ORDERING PARTS, PLEASE HAVE THE
FOLLOWING INFORMATION AVAILABLE:

- * PRODUCT - _____
- * SERIAL NUMBER - _____
- * MODEL NUMBER - _____
TYPE - _____
- * PART NUMBER WITH PAINT CODE
* PART DESCRIPTION

TELEPHONE - 1-800-222-8183
FAX - 1-660-747-8650

SWISHER
1602 CORPORATE DRIVE
WARRENSBURG, MO 64093

swisherinc.com