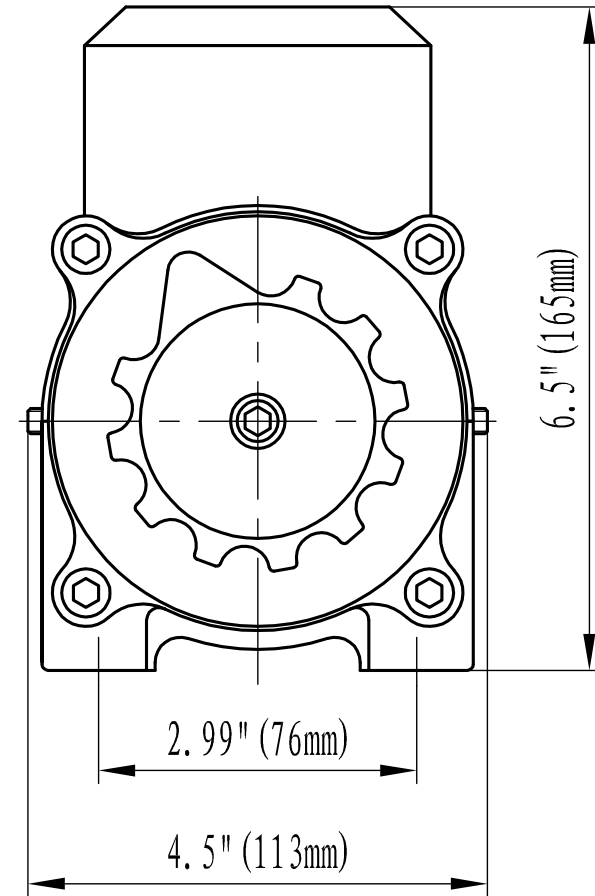
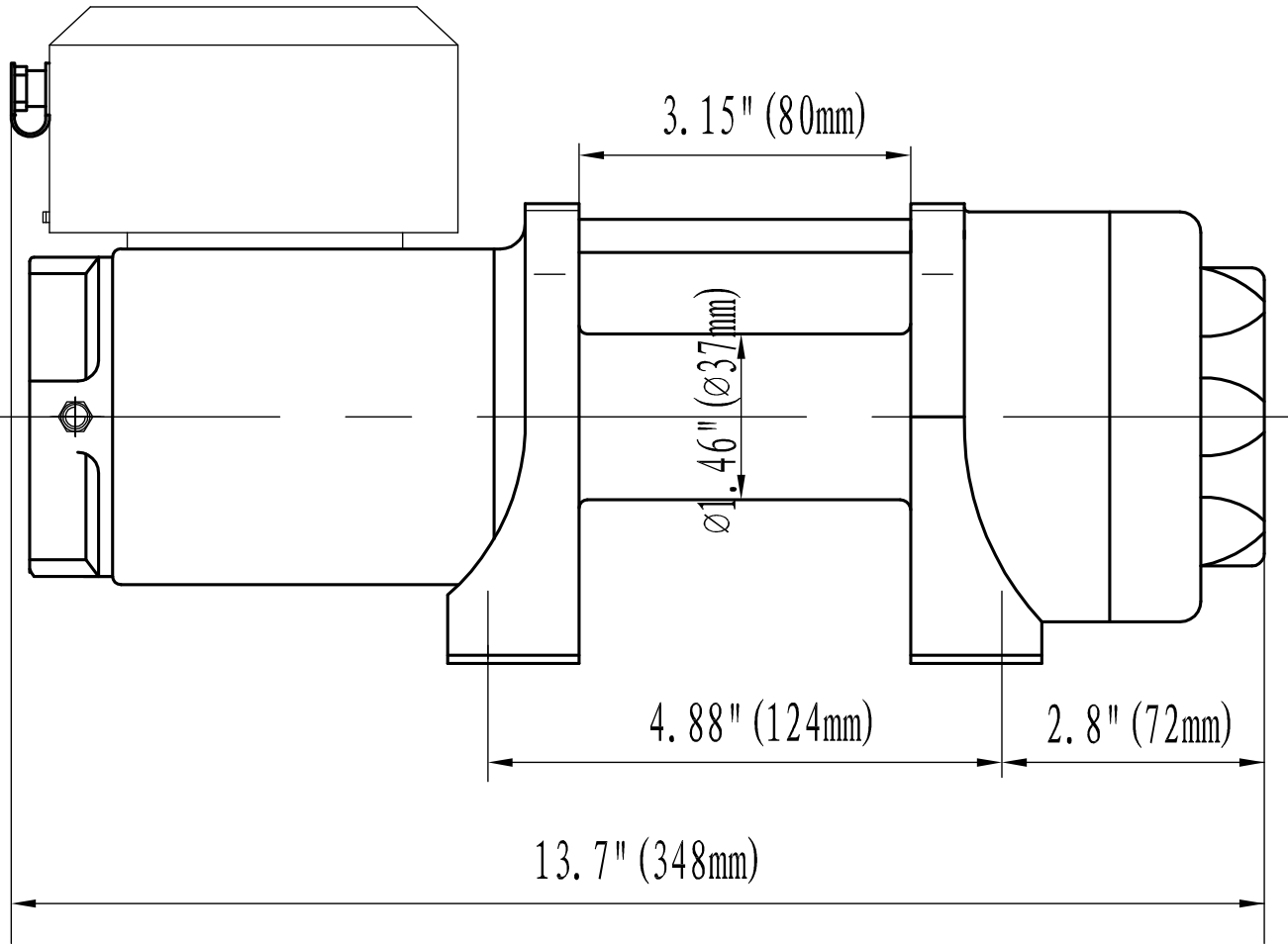




# C3 500 A TECHNICAL DIAGRAM



**VALUE WITHOUT COMPROMISE**