

## Handlebar and Control Assembly

1. Carriage bolts, curved washers and nylon lock nuts have been provided in a hardware package. Align the two holes at each end of the handlebar with the two holes in the handlebar support on the snow blower. Push carriage bolts through from the outside and secure with curved washer and nylon lock nut on the interior in two places on both sides of the snow blower. Tighten securely (see Figure 1).
2. Attach the drive wire on the left side of the snow blower (see Figure 2). Remove the R-clip that connects the drive wire to the control lever on the handlebars, then slip the wire off. Attach the other end of the drive wire with the spring mechanism to the connection ring and reattach the drive wire to the control lever reinserting the R-clip. After connecting the wire adjust the tension. The wire should be taught when connected. (See Control Wire Adjustment, page 23 in the Operation Manual).
3. Attach the auger wire on the right side of the snow blower (see Figure 3). Remove the R-clip that connects the auger wire to the control lever on the handlebars, then slip the wire off. Attach the other end of the auger wire with the spring mechanism to the connection ring and reattach the auger wire to the control lever reinserting the R-clip. After connecting the wire adjust the tension. The wire should be taught when connected. (See Control Wire Adjustment, page 23 in the Operation Manual).
4. Attach the speed shift rod and secure with a R-clip that has been included in the hardware package (see Figure 3).

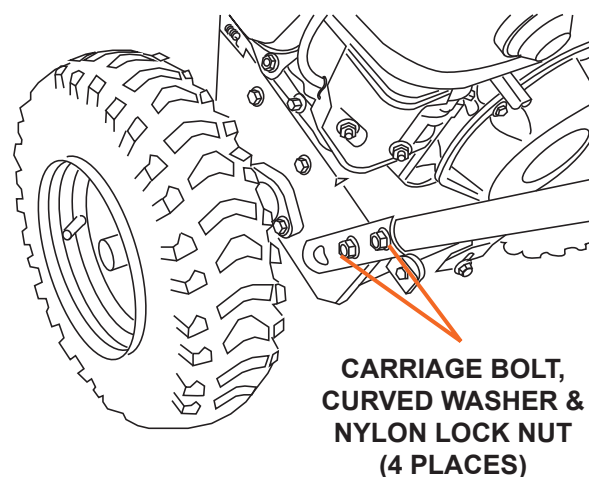


Figure 1

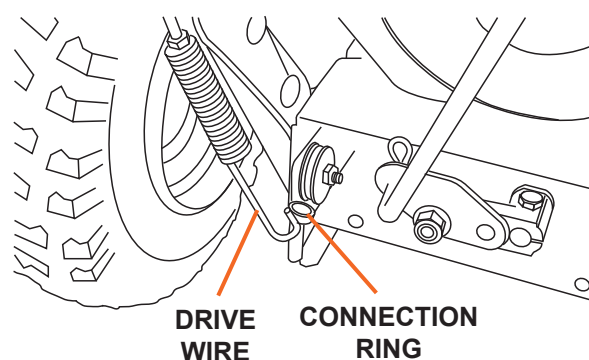


Figure 2

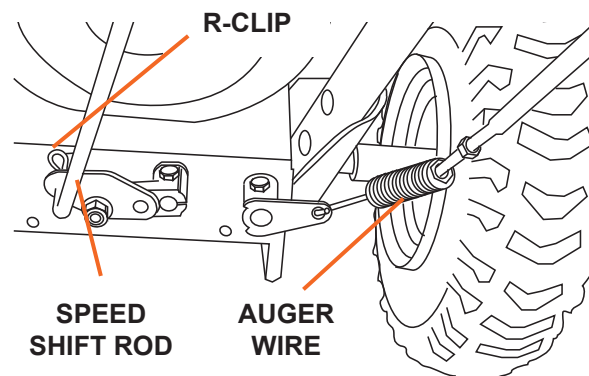


Figure 3

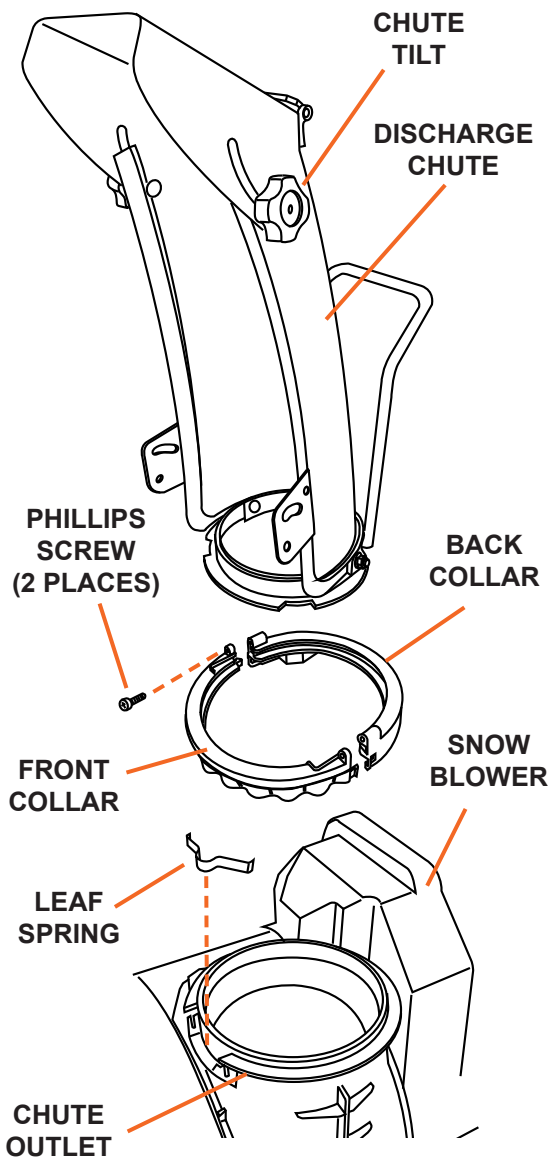


Figure 4

### Attaching the Discharge Chute

1. Place the leaf spring from the hardware kit in the slot in front of the chute outlet on the snowblower. Place the discharge chute on the snowblower outlet (see Figure 4).
2. Secure the discharge chute to the outlet with the plastic collar front and back. Make sure that the ribbed collar is facing the front of the discharge chute. The back half of the collar will fit over both the discharge chute flange and the outlet port flange. Align the front half of the collar with the ribbed construction with the back half of the collar fitting it over both discharge chute flange and the flange on the outlet. Secure with a phillips screw on either side.

NOTE: The collar will “snap” together when aligned properly and secured with screws. When the discharge chute is correctly assembled it will “click” as it is rotated, catching the leaf spring and ribbed portion of the front collar as it is turned.

### Attaching the Wheels

1. Attach both wheels by lining up the holes in the rim with both holes in the axle and securing with the attached d-rings.

### Adjusting the Skid Shoes

1. Position the skid shoes based on surface conditions. Adjust upward for hard-packed snow. Adjust downward when operating on gravel or crushed rock surfaces. Loosen the two hex nuts that retain the skid shoe in place and move up or down as desired, then re-tighten the lock nuts (see Figure 5). Repeat for the opposite side of the snow blower.

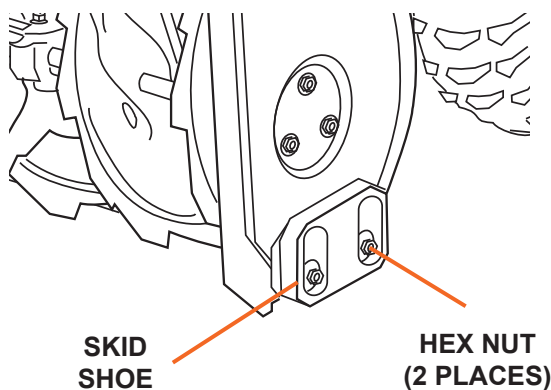


Figure 5