

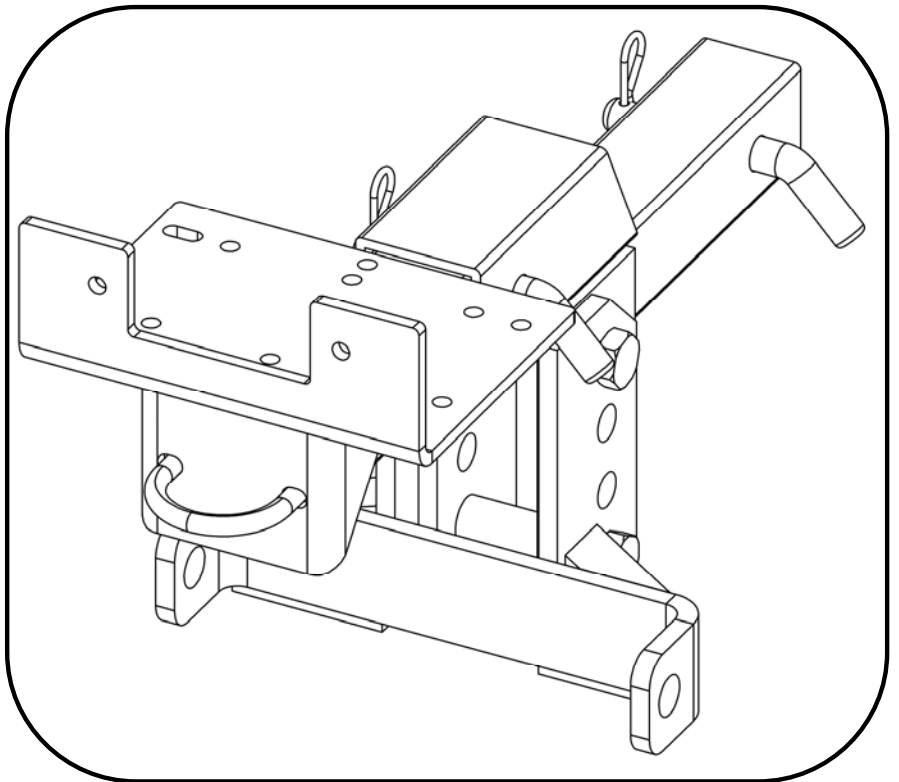
swisherinc.com

OWNER'S MANUAL

10260

UTV Universal
Front Receiver
Hitch

Starting Serial #: L308-205001



SWISHER®

CHANGING YOUR LANDSCAPE SINCE 1945



IMPORTANT

Read and follow all
Safety Precautions
and Instructions
Before Operating this
Equipment.

SWISHER ACQUISITION INC.
1602 CORPORATE DRIVE, WARRENSBURG, MISSOURI 64093
PHONE 660-747-8183 FAX 660-747-8650

Made In The
USA
of US and Global Parts

LIMITED WARRANTY

The manufacturer's warranty to the original consumer purchaser is: This product is free from defects in materials and workmanship for a period of one (1) year from the date of purchase by the original consumer purchaser. We will repair or replace, at our discretion, parts found to be defective due to materials or workmanship. This warranty is subject to the following limitations and exclusions:

- 1) Commercial Use This product is not intended for commercial use and carries no commercial warranty.
- 2) Limitation This warranty applies only to products which have been properly assembled, adjusted, and operated in accordance with the instructions contained within this manual. This warranty does not apply to any product of Swisher that has been subject to alteration, misuse, abuse, improper assembly or installation, shipping damage, or to normal wear of product.
- 3) Exclusions Excluded from this warranty are normal wear, normal adjustments, and normal maintenance.

In the event you have a claim under this warranty, you must return the product to an authorized service dealer. All transportation charges, damage, or loss incurred during transportation of parts submitted for replacement or repair under this warranty shall be borne by the purchaser. Should you have any questions concerning this warranty, please contact us toll-free at 1-800-222-8183. The model number, serial number, date of purchase, and the name of the authorized Swisher dealer from whom you purchased the product will be needed before any warranty claim can be processed.

THIS WARRANTY DOES NOT APPLY TO ANY INCIDENTAL OR CONSEQUENTIAL DAMAGES AND ANY IMPLIED WARRANTIES ARE LIMITED TO THE SAME TIME PERIODS STATED HEREIN FOR ALL EXPRESSED WARRANTIES. Some states do not allow the limitation of consequential damages or limitations on how long an implied warranty may last, so the above limitations or exclusions may not apply to you. This warranty gives you specific legal rights and you may have other rights, which vary from state-to-state. This is a limited warranty as defined by the Magnuson-Moss Act of 1975.

SAFETY PRECAUTIONS



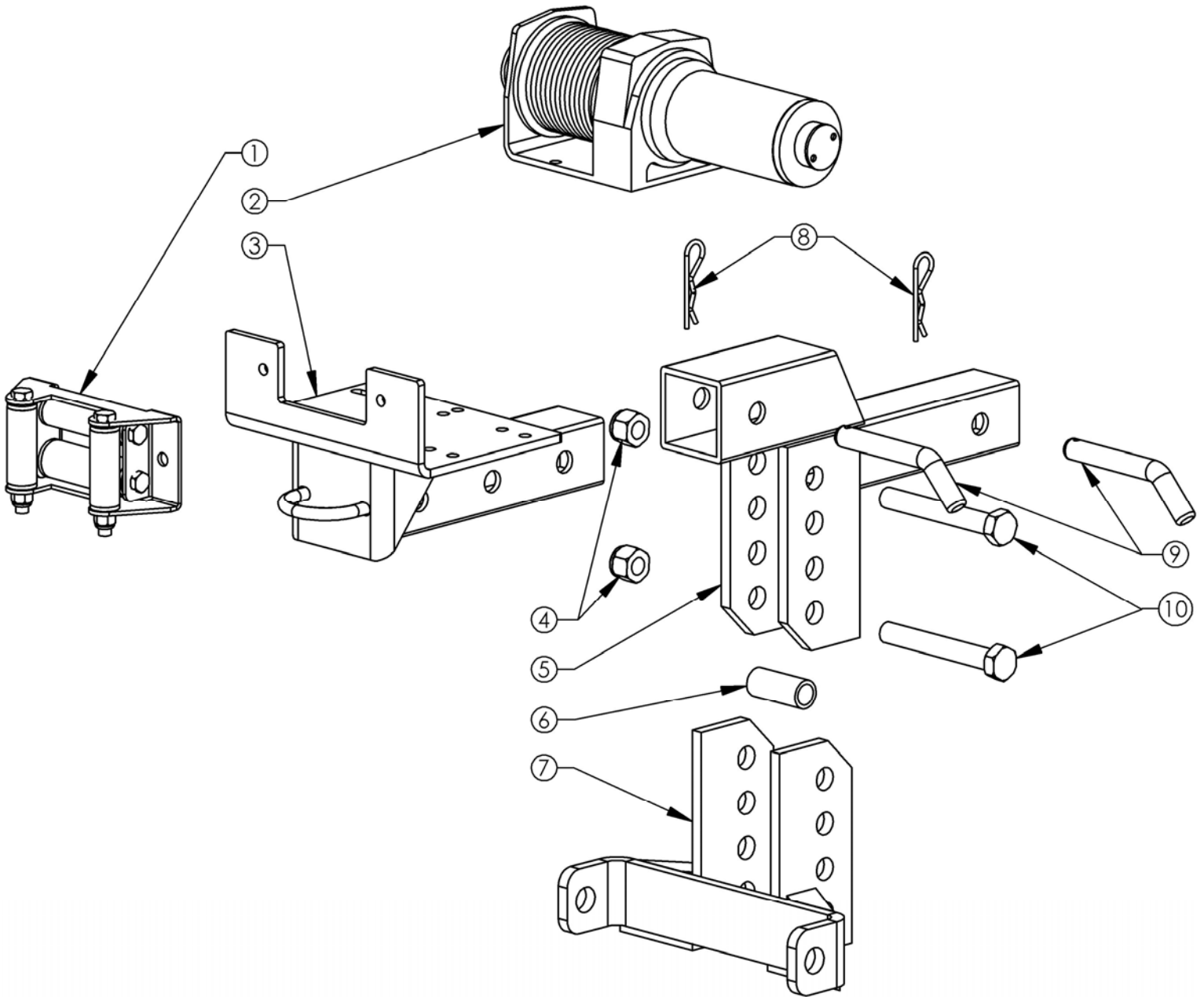
This Safety Alert Symbol indicates important messages in this manual. When you see this symbol, carefully read the message that follows and be alert to the possibility of personal injury.

Read this manual completely. Failure to observe the following safety instructions could result in serious injury or death.

- Read the manual. Learn to operate the machine safely.
- Keep the operating speed low! Do not operate over 5mph (8kmh).
- Allow only responsible adults who are familiar with these instructions to operate this machine. Never allow children to operate this machine.
- Be sure the area is clear of other people before operating. Children are often attracted to the machine and the operating activity. **Never assume that children will remain where you last saw them.** Keep children under the watchful care of another responsible adult.
- Watch for traffic when operating near or while crossing roadways.
- Do not operate the attachment if it has been dropped or damaged in any manner. Repair as necessary.
- Stop and inspect the equipment if you strike an object. Repair as necessary before restarting.
- Dress properly. Do not operate when barefoot or wearing open sandals.
- Do not operate the machine while under the influence of alcohol or drugs.
- Never tamper with safety devices. Check their proper operation regularly.
- Operate attachments up and down slopes. There is a significant risk of overturns when operating across slopes.
- **Never make adjustments or repairs with the vehicle engine running.**
- Follow the vehicle manufacturers safe operating procedures.

Parts List

Before assembling your UTV Universal Front Receiver Hitch please check the table and diagram below to familiarize yourself with the parts and to make sure no parts are missing.



Item #	Part #	Description
1	8003	Roller Fairlead (Sold Separately)
2	N/A	Winch (Sold by Retailers)
3	10258TK	Winch Mount
4	NB561	5/8-11 Lock Nut
5	10256TK	Stepped Receiver
6	9147TK	Spacer
7	9504TK	Accessory Mount
8	NB603	#10 Hair Pin
9	NB702	5/8 x 3 Bent Pin
10	NB701	5/8-11 X 4 1/2 Hex Hd Bolt

INSTALLATION OF ACCESSORY MOUNT



TO ENSURE PROPER INSTALLATION, CAREFULLY FOLLOW ALL INSTRUCTIONS LISTED BELOW

RECEIVER AND WINCH MOUNT KIT

1. Remove all parts from carton and layout as illustrated by the manual.
2. Identify all parts with the numbers.
3. Prepare the vehicle for installation of the receiver hitch and place on a flat surface.
4. Install "Stepped Receiver" #9145TK into the receiver on the vehicle and secure with 1 bent pin # NB702 and Hair Pin #NB603.
5. Place "Accessory Mount" #9504TK on to the stepped receiver and slip two 5/8-11 X 4 ½ bolts # NB701 into the aligning holes.
6. Measure from the ground to the center of the Accessory Mount hole as shown in Figure # 1.
7. Adjust the Accessory Mount to obtain the closet height to 8 Inches or higher.
8. Place one 5/8-11 X 4 ½ Bolt NB701 into the upper most hole of the Accessory Mount Bracket. Place spacer between mounting plate and the second bolt into the lowest hole of the Stepped Receiver. This spreads the bolts apart.

REFER TO FIGURE 1 WHILE INSTALLING THE ACCESSORY MOUNT

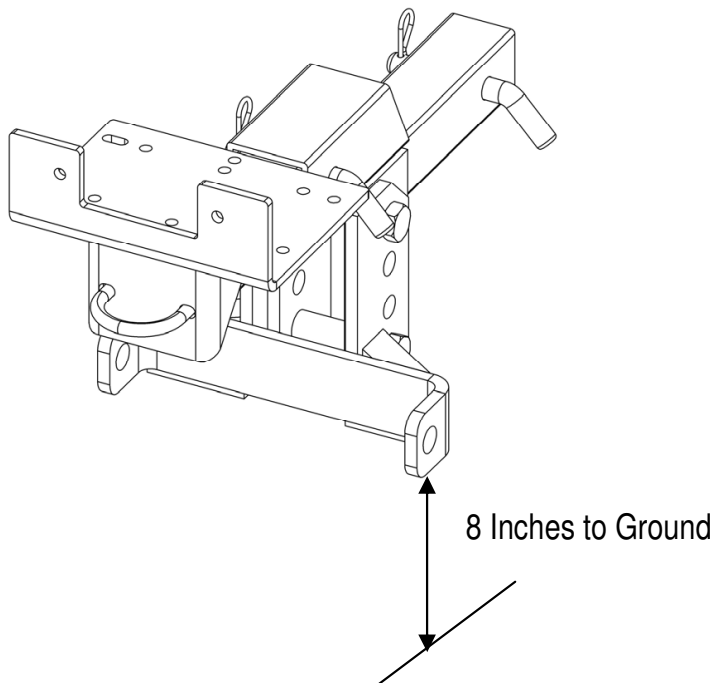


Figure 1

INSTALLING WINCH TO WINCH MOUNT

1. The Winch is not included and can be purchased from Retailers. The Roller Fairlead, Swisher part number 8003, is not included in this kit. We have made every attempt to provide the proper mounting holes to cover all of the popular winch models.
2. Install the Winch to the manufactures specifications.
3. Install the Roller Fairlead to the mount with the bolts coming from the back. This gives the maximum amount of room for the winch.
4. After the Winch and Roller Fairlead have been mounted and tightened securely, install the mount into the receiver to the rearward most position and secure with Bent Pin # NB702. The rearward position effects the angle and position of the cable on the accessory.

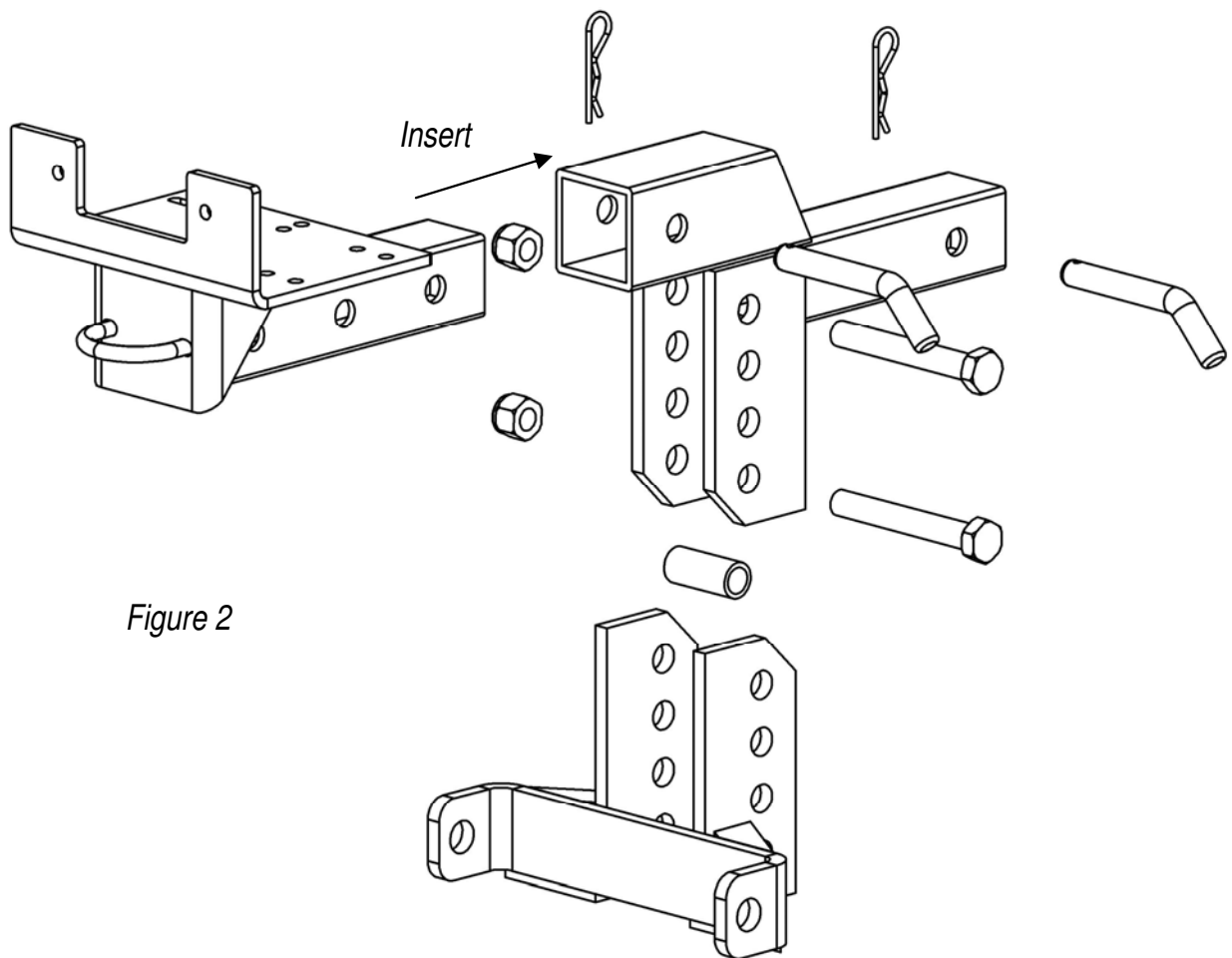


Figure 2

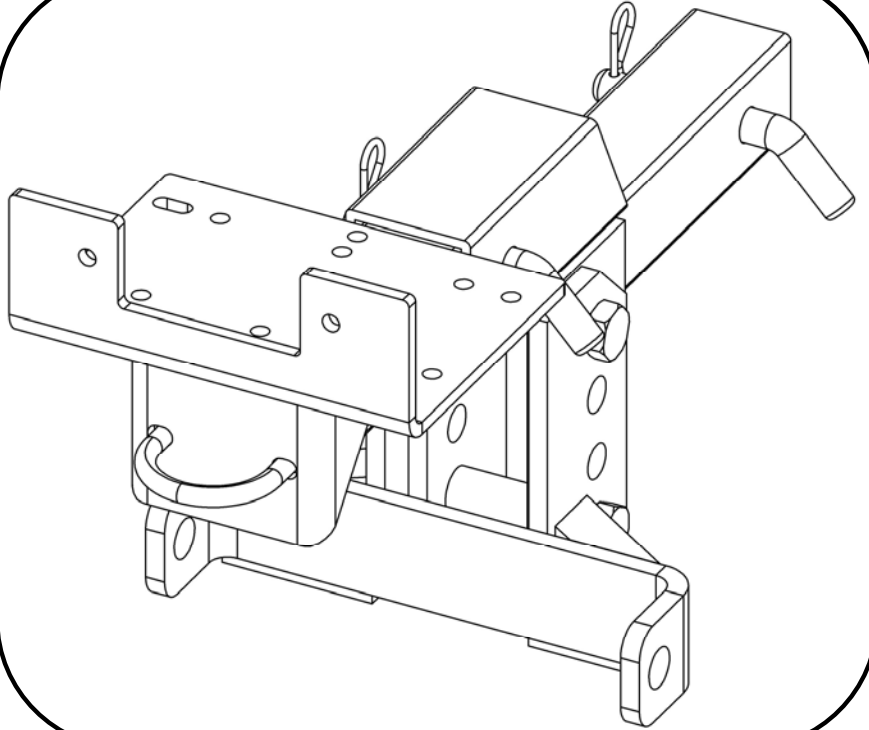
SWISHER®

swisherinc.com

OWNER'S MANUAL

10260

UTV Universal
Front Receiver
Hitch



WHEN ORDERING PARTS, PLEASE HAVE THE
FOLLOWING INFORMATION AVAILABLE:

- * PRODUCT - _____
- * SERIAL NUMBER - _____
- * MODEL NUMBER - _____
TYPE - _____
- * PART NUMBER WITH PAINT CODE
- * PART DESCRIPTION

TELEPHONE - 1-800-222-8183

FAX - 1-660-747-8650

SWISHER ACQUISITION INC.

1602 CORPORATE DRIVE
WARRENSBURG, MO 64093

swisherinc.com

SWISHER
1602 CORPORATE DRIVE, WARRENSBURG, MISSOURI 64093
PHONE 660-747-8183 FAX 660-747-8650

Made In The
USA
of US and Global Parts