



**Count on it.**

**Parts Catalog**

**Walk-Behind Rotary Broom**

Model No. 23740—Serial No. 313000001 and Up

Model No. 38700—Serial No. 313000001 and Up



# Ordering Replacement Parts

To order replacement parts, please supply the part number, the quantity, and the description of each part desired.

## Understanding Reference Numbers

Each identified part in an illustration has a reference number. The reference number for a part also appears in the parts list, along with other information about the part.

This catalog uses two special reference number formats, one to indicate parts in a service assembly and another to indicate the quantity of a given part in an illustration.

## Service Assembly Reference Numbers

Parts in service assemblies have reference numbers in the form a:b. The a represents the reference number of the entire service assembly and the b represents a sequential number unique to each part within the service assembly.

For example, a wheel assembly might be identified by reference number 6, the tire by 6:1, the valve by 6:2, and the wheel by 6:3. When you order the assembly identified by reference number 6, you receive all parts identified by reference numbers 6:1, 6:2, and 6:3. However, you may also order any part individually. Reference numbers of this type appear in illustration and in parts lists.

## Reference Numbers Indicating Quantity

In an illustration, if a reference number indicates more than one part, the reference number has the form nX y. The n represents the quantity of the part, the X is the multiplication symbol, and the y represents the reference number.

For example, in an illustration, the reference number 2X 37 means that two of the parts identified by reference number 37 are indicated.

# List of Abbreviations

**AR:** as required

**ASM:** assembly

**BBC:** blade brake control

**BHTF:** button head thread forming

**CARR:** carriage

**CCW:** counter clockwise

**CW:** clockwise

**DEG:** degrees

**DPA:** Dual Point Adjustment

**ECM:** electronic control module

**EXT:** external

**FH:** flat head

**GA:** gauge

**HD:** heavy-duty

**HF:** hex flange

**HH:** hex head

**HHF:** hex head flange

**HHFTF:** hex head flange thread forming

**HJ:** hex jam

**HLH:** hex lag head

**HOC:** height-of-cut

**HSBH:** hex socket button head

**HSFH:** hex socket flat head

**HSH:** hex socket head

**HWH:** hex washer head

**HWHTF:** hex washer head thread forming

**HYD:** hydraulic

**LH:** left hand

**LP:** Liquefied Petroleum Gas

**LPG:** Liquefied Petroleum Gas

**NI:** nylon insert

**NPTF:** national pipe thread fine

**PFH:** phillips flat head

**PPH:** phillips pan head

**PPHTF:** phillips pan head thread forming

**PRH:** phillips round head

**PTH:** phillips truss head

**PTO:** power-take-off

**RH:** right hand

**ROPS:** roll-over protection system

**RRB:** rear roller brush

**SFH:** slotted fillister head

**SHH:** slotted hex head

**SHWH:** slotted hex washer head

**SPH:** slotted pan head

**SQH:** square head

**SRH:** slotted round head

**STD:** standard

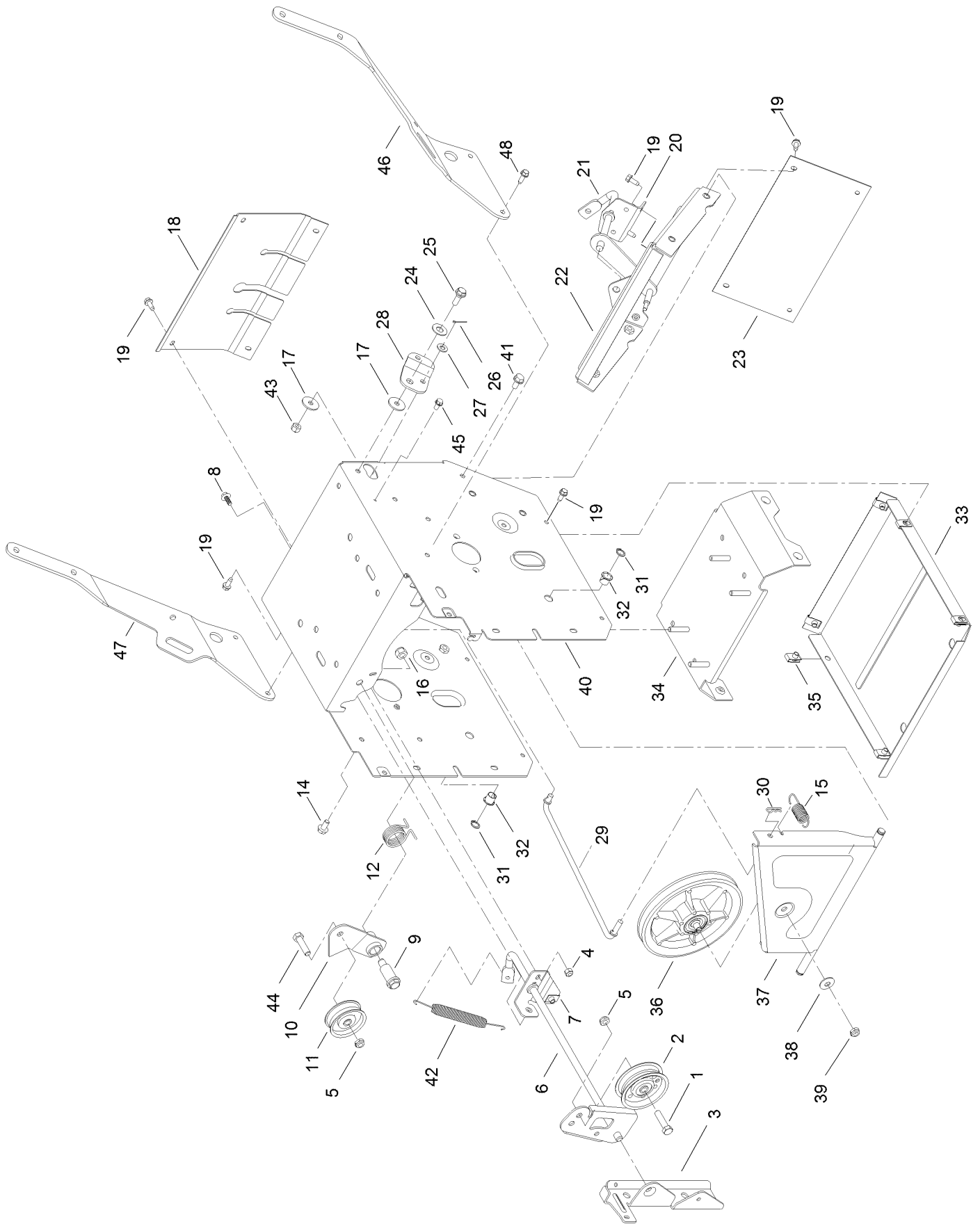
**TAP:** self tapping

**TTH:** torx truss head

# Contents

Frame Assembly.....	4
Drive Assembly.....	6
Control Panel Assembly.....	8
Wheel Clutch Sprocket Assembly.....	10
Handle Assembly.....	11
Engine and Pully Assembly.....	12
Mounting Assembly.....	13
Broom Head and Frame Assembly.....	14
Broom Head.....	15
Core Assembly.....	16
Attachments and Accessories.....	17

# Frame Assembly

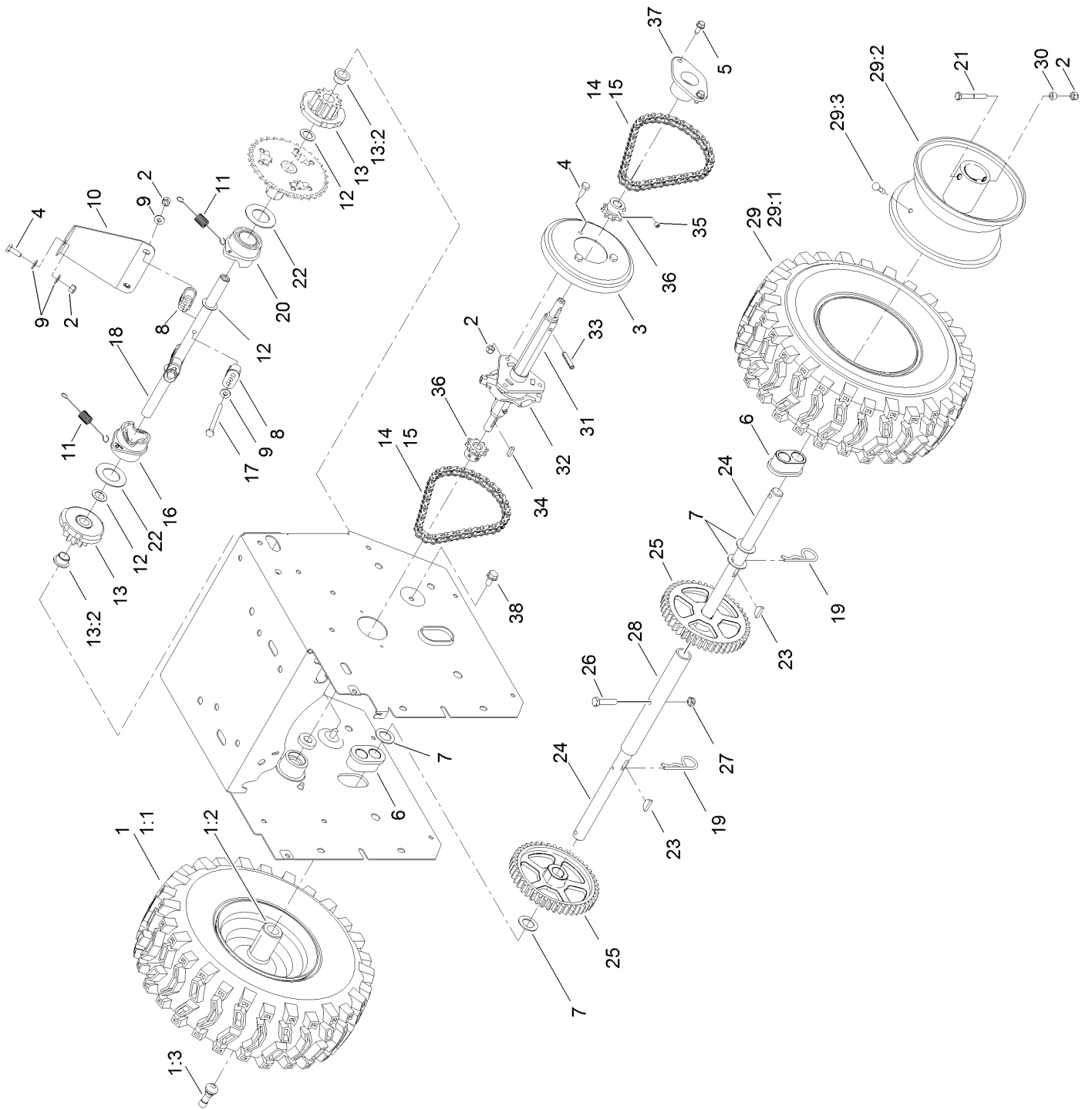


## Frame Assembly (continued)

<i>Ref.</i>	<i>Part Number</i>	<i>Qty.</i>	<i>Description</i>	<i>Ref.</i>	<i>Part Number</i>	<i>Qty.</i>	<i>Description</i>
1	323-8	1	Screw-HH	26	3272-4	1	Pin-Cotter
2	92-7104	1	Pulley-Idler	27	3256-23	1	Washer-Flat
3	107-1039	1	Bracket-Idler, Impeller	28	107-1011	1	Bellcrank-Drive
4	3296-42	1	Nut-Lock, NI	29	106-4467	1	Link-Control, Speed
5	3296-59	2	Nut-Lock, NI	30	3290-307	1	Pin-Hair
6	107-3838-03	1	Impeller Clutch ASM	31	32151-61	2	Ring-Retaining
7	120-9824	1	Bracket-Clutch, Impeller	32	256-257	2	Bushing-Nyliner
8	99-6810	1	Screw-HH	33	106-7330-01	1	Pan-Bottom
9	108-5056	1	Bolt-Shoulder ●	34	116-7678	1	Brace-Frame
10	108-5058	1	Arm-Idler, Traction	35	107069	8	Clip
11	3-4244	1	Pulley-Idler	36	108-0031	1	Pulley-Traction
12	108-7332	1	Spring-Torsion	37	108-7307	1	Bracket-Wheel, Friction
14	3234-7	2	Screw-HHF	38	3290-340	1	Washer-Belleville
15	107-1003	1	Spring-Extension	39	3296-5	1	Nut-Lock
16	3296-76	1	Nut-Lock, NI	40	120-9832-01	1	Traction Frame ASM
17	5-4460	2	Washer-Pivot	41	32144-14	4	Screw-HWHTF
18	108-0022-01	1	Cover-Upper	42	108-2976	1	Spring-Extension
19	32144-10	13	Screw-HWH	43	3296-29	1	Nut-Lock, NI
20	108-0036	1	Bracket-Rod, Shift	44	323-29	1	Screw-HH
21	106-7268	1	Lever-Control, Traction	45	32144-4	1	Screw-HWH
22	108-0026-03	1	Shift Plate ASM	46	116-7672-03	1	Brace-Handle, LH
23	106-7345-01	1	Cover-Lower	47	116-7673-03	1	Brace-Handle, RH
24	25-5640	1	Washer	48	32144-44	4	Screw-HWH, Thread Roll
25	27-0410	1	Screw-Shoulder				

● Apply light coat of anti-seize to pivot surface.

# Drive Assembly



## Drive Assembly (continued)

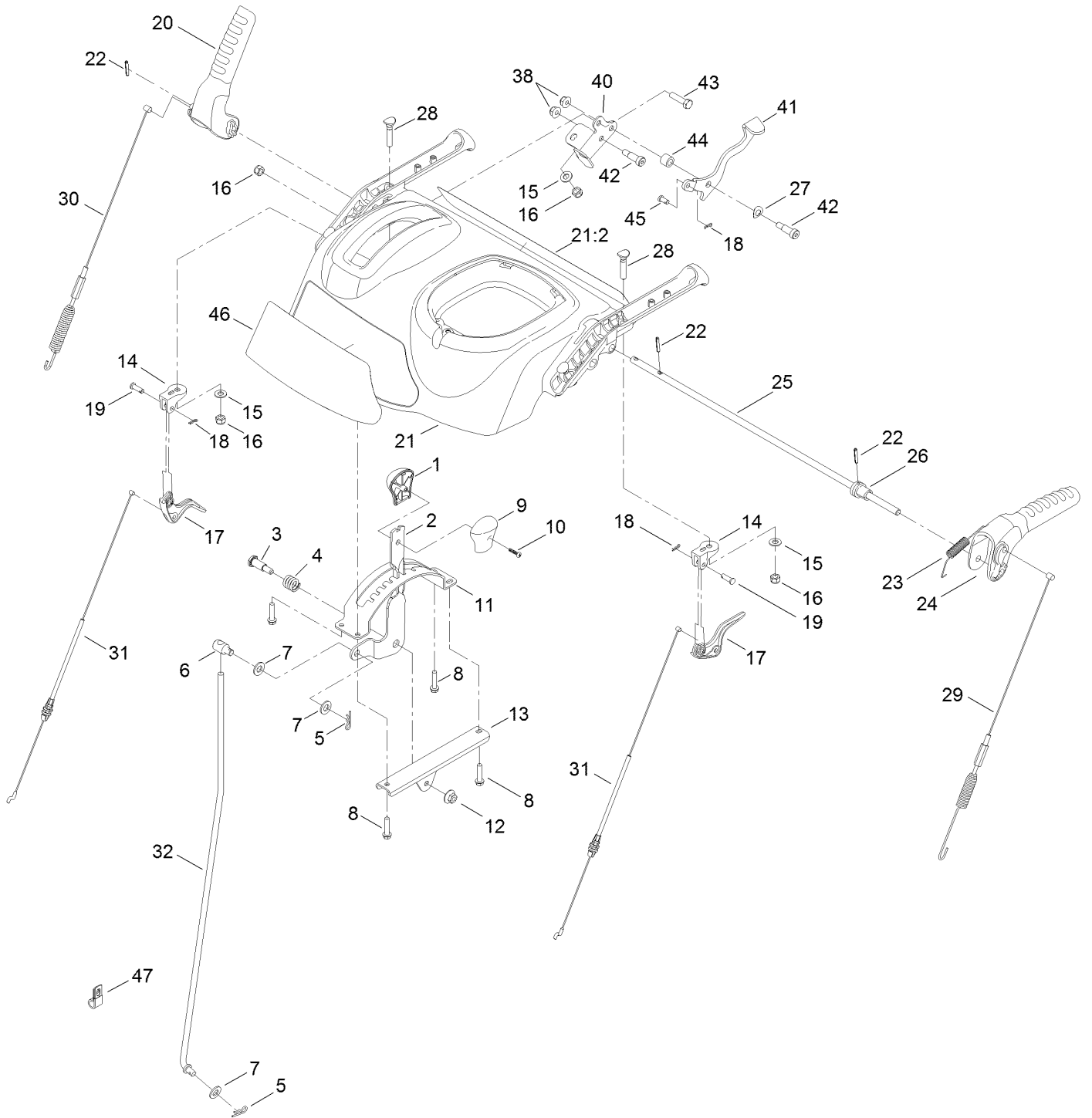
<i>Ref.</i>	<i>Part Number</i>	<i>Qty.</i>	<i>Description</i>	<i>Ref.</i>	<i>Part Number</i>	<i>Qty.</i>	<i>Description</i>
1		1	RH Wheel And Tire ASM ●	20	107-8887	1	Collar-Shift, LH
1:1	107-3042	1	Tire	21	108-2975	2	Screw-HH
1:2	107-3043	1	Rim-Tire	22	107-8891	2	Washer-Thrust
1:3	232-27	1	Stem-Valve	23	3257-7	2	Key-Woodruff
2	3296-42	8	Nut-Lock, NI	24	107-8898	2	Shaft-Axle
3	119-1567	1	Wheel-Friction	25	106-4572	2	Gear-Axle, 44 Tooth
4	321-4	4	Screw-HH	26	322-17	1	Screw-HH
5	32144-10	4	Screw-HWH	27	3296-47	1	Nut-Lock, NI
6	106-4558	2	Bearing-Axle	28	106-7259	1	Tube-Axle
7	3-8664	4	Washer-Thrust	29		1	LH Wheel And Tire ASM ●
8	107-8889	4	Guide-Collar	29:1	107-3042	1	Tire
9	3256-22	6	Washer-Flat	29:2	107-3043	1	Rim-Tire
10	107-8892-03	1	Brace-Collar, Shift	29:3	232-27	1	Stem-Valve
11	107-8893	2	Spring-Extension	30	55-9370	2	Spacer-Blade, Rotor
12	108-0015	4	Washer-Flat	31	116-7908	1	Shaft-Hex ▲
13	107-8894	2	11T Gear ASM	32	106-4434	1	Trunnion-Hex
13:2	108-2973	2	Bushing-Flange	33	32121-9	2	Pin-Roll, Slotted
14	108-0016	2	Chain-Roller	34	94-8850	2	Key-Square
15	2710-6	2	Link-Connecting	35	3245-32	4	Screw-HSH
16	107-8888	1	Collar-Shift, RH	36	106-7317	2	Sprocket-8 Tooth
17	321-23	2	Screw-HH	37	108-7319	2	Retainer-Bearing
18	107-8883	1	Shaft-Intermediate ■	38	32144-14	2	Screw-HWHTF
19	3290-343	2	Pin-Hair				

● Not serviced separately

▲ Apply light coat of oil to hex portion of shaft.

■ Apply light coat of oil before assembly.

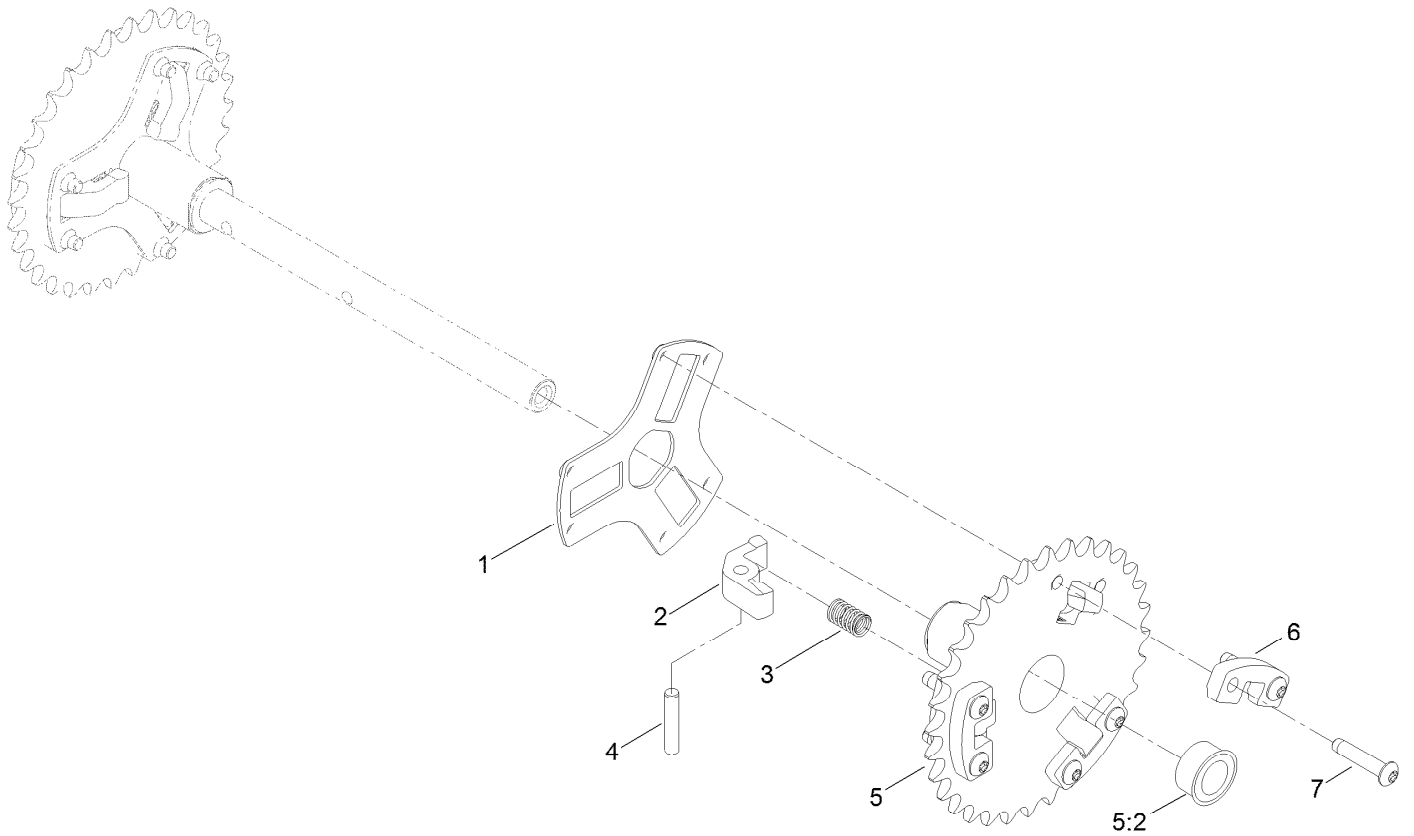
# Control Panel Assembly





## Control Panel Assembly (continued)

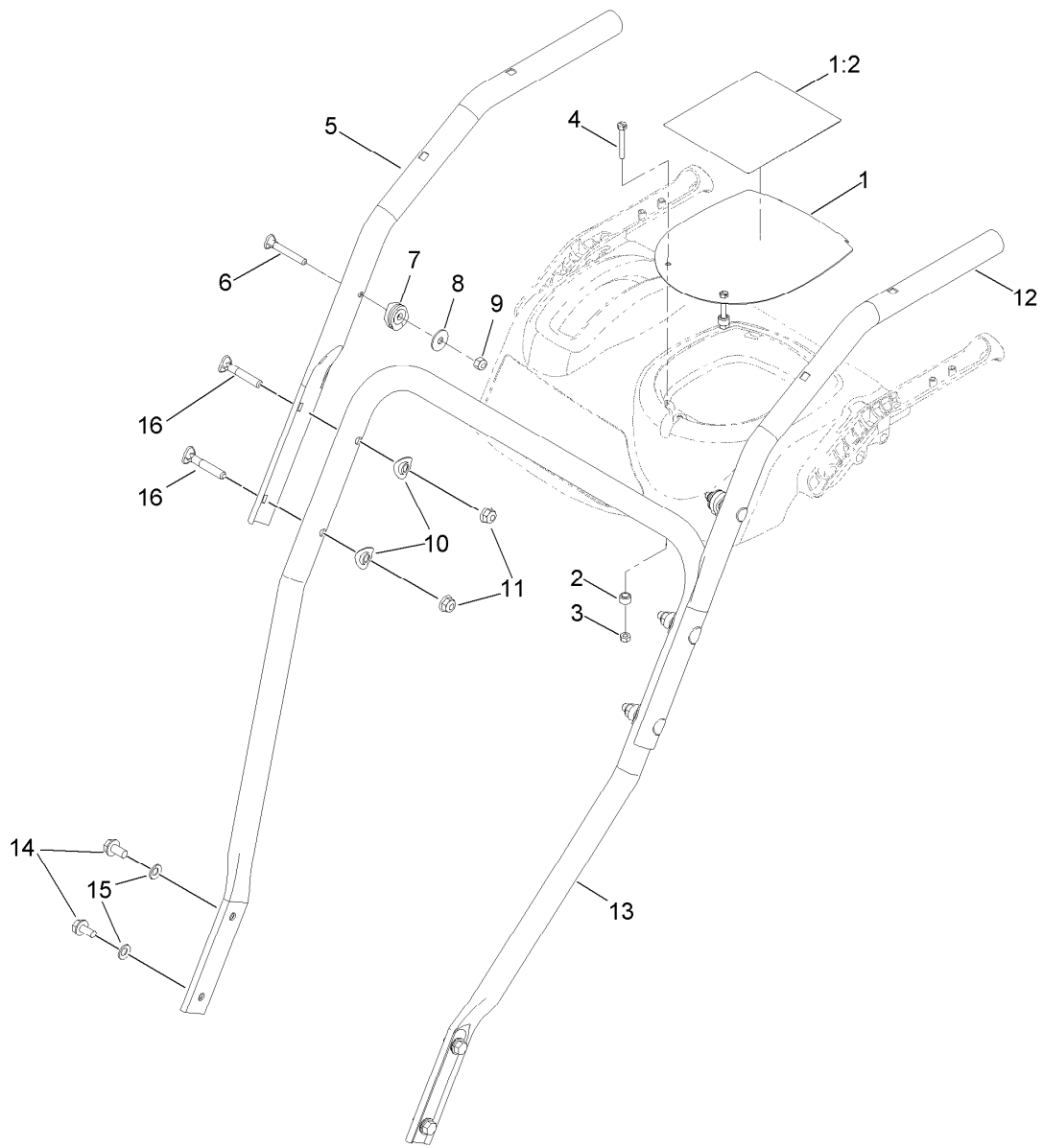
<i>Ref.</i>	<i>Part Number</i>	<i>Qty.</i>	<i>Description</i>	<i>Ref.</i>	<i>Part Number</i>	<i>Qty.</i>	<i>Description</i>
1	106-4423	1	Knob-Shift, RH	21:2	126-0017	1	Decal-Control Panel
2	106-7278-03	1	Selector-Speed	22	32121-125	3	Pin-Spring
3	63-2650	1	Screw-Shoulder	23	107-3001	1	Spring-Tension
4	108-7313	1	Spring-Compression	24	106-4410	1	Lever-Traction
5	3290-307	2	Pin-Hair	25	105-9996	1	Rod-Lockout
6	110-3446	1	Trunnion-Rod	26	107-1043	1	Cam-Lockout
7	3256-24	3	Washer-Flat	27	3290-212	1	Washer-Spring
8	46-8092	4	Screw-Plastite	28	107-3018	4	Screw-Handle
9	105-9999	1	Knob-Shift, LH	29	120-0132	1	Cable-Traction
10	94-4496	1	Screw-PPH	30	115-5685	1	Cable-Augur
11	106-7277-03	1	Guide-Selector, Speed	31	107-8896	2	Cable-Clutch
12	32128-13	1	Nut-HHF	32	107-1005	1	Rod-Shift
13	106-7279-03	1	Mount-Selector, Speed	38	104-8300	2	Nut-Flange, NI
14	105-9980	2	Mount-Clutch, Lever	40	116-7669	1	Bracket-Lever, Broom Angle
15	3256-70	4	Washer-Flat	41	116-7670	1	Lever-Thumb, Broom Angle
16	3296-72	5	Nut-Lock, NI	42	119-6915	2	Screw-Shoulder, HSH
17	106-4505	2	Lever-Clutch	43	322-6	1	Screw-HH
18	108-2992	3	Pin-Hair	44	116-7793	1	Tube-Spacer
19	1-808265	2	Pin-Clevis	45	146319	1	Pin-Clevis
20	106-4413	1	Lever-Augur	46	126-0016	1	Decal-Toro Power Broom
21	126-0063	1	Control Panel ASM	47	1-323229	1	Clip-Loom



## Wheel Clutch Sprocket Assembly

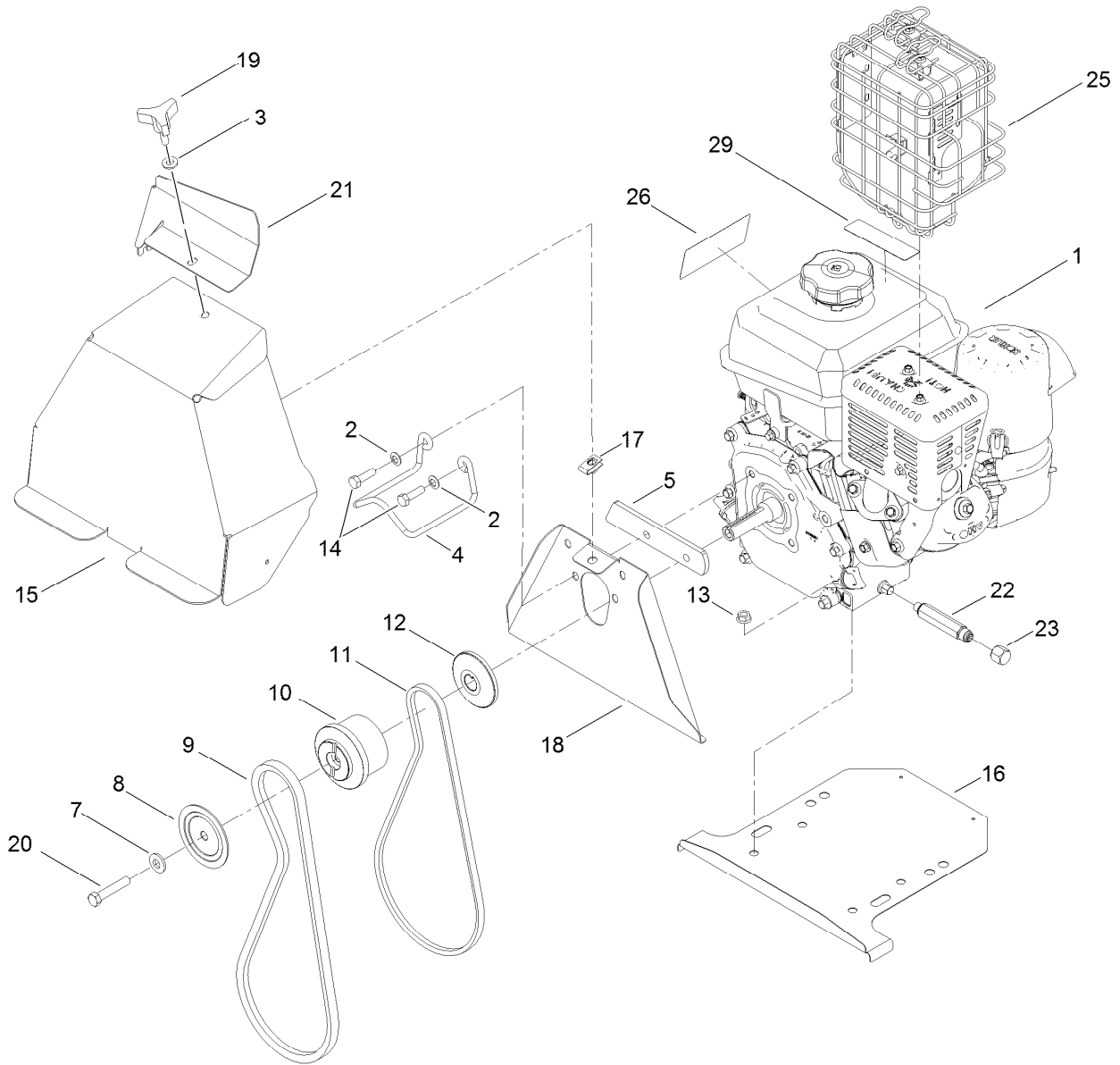
Ref.	Part Number	Qty.	Description
1	107-8886	2	Retainer-Pin, Pawl
2	107-8879	6	Pawl-Clutch
3	107-8885	6	Spring-Compression
4	107-8899	6	Pin-Dowel ●
5	107-8895	2	32T Sprocket ASM
5:2	108-2973	2	Bushing-Flange
6	107-8880	6	Support-Pawl
7	108-0035	12	Screw-Torx Button Head

● Apply light coat of oil before assembly.



## Handle Assembly

<i>Ref.</i>	<i>Part Number</i>	<i>Qty.</i>	<i>Description</i>	<i>Ref.</i>	<i>Part Number</i>	<i>Qty.</i>	<i>Description</i>
1	116-7788	1	Panel, Control	9	3296-73	2	Nut-Lock, NI
1:2	116-7370	1	Decal-Warning	10	107-3844	4	Washer
2	55-9370	2	Spacer-Blade, Rotor	11	104-8300	4	Nut-Flange, NI
3	3296-2	2	Nut-Lock, NI	12	108-0037-03	1	Handle-Upper, LH
4	32105-5	2	Screw	13	105-9981-03	1	Handle-Lower
5	108-0038-03	1	Handle-Upper, RH	14	32144-14	4	Screw-HWHTF
6	95-4453	2	Screw	15	3290-475	4	Washer-Belleville
7	106-4509	2	Clamp-Cable	16	92-2260	4	Screw-Handle
8	87-6630	2	Washer-Plain				



## Engine and Pully Assembly

Ref.	Part Number	Qty.	Description
1		1	Engine-Kohler, Ch270 ●▲
2	3290-475	2	Washer-Belleville
3	1-303334	1	Washer-Spring
4	107-3835	1	Guide-Belt
5	116-7659-03	1	Spacer-Cover Belt
7	98-5975	1	Washer-Belleville
8	112-8139	1	Sheave-Half, Impeller ■
9	1-653332	1	Belt-Blower
10	112-8117	1	Pulley-Engine, Center ■
11	94-8812	1	V Belt-Traction
12	112-8138	1	Sheave-Half, Traction ■
13	32128-20	4	Nut-HF
14	3210-6	2	Screw-HH

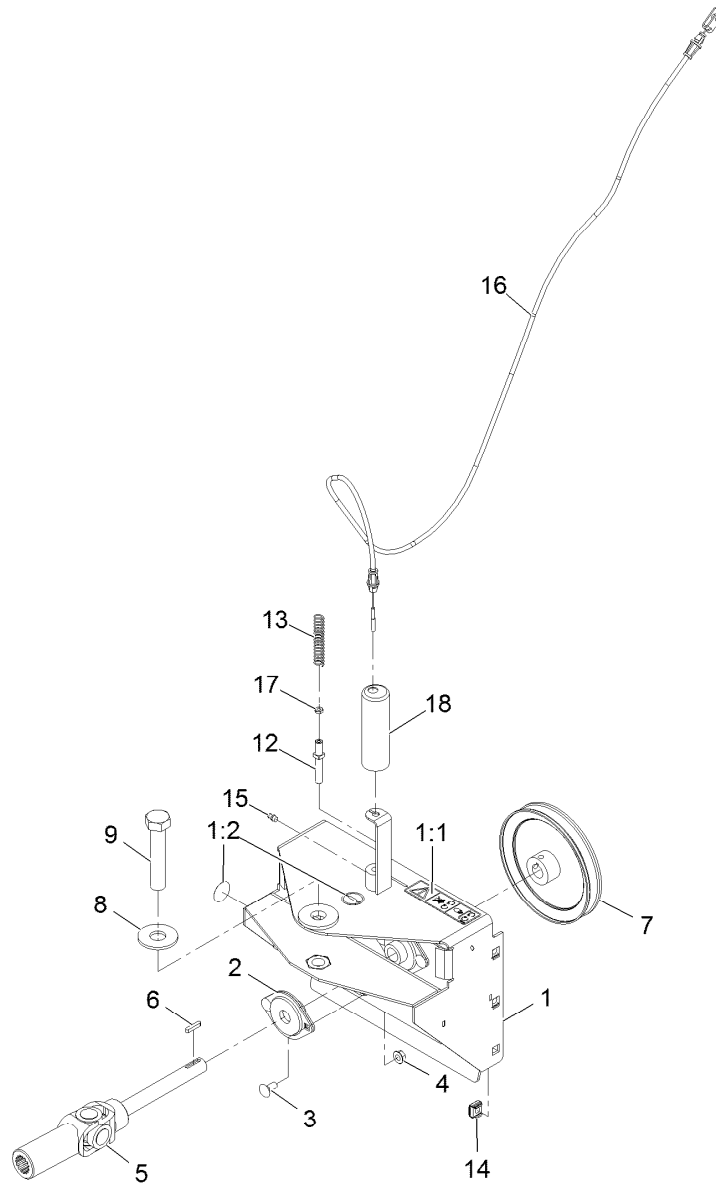
Ref.	Part Number	Qty.	Description
15	116-7258-01	1	Cover-Belt
16	116-8761-01	1	Shield-Drive
17	94-2413	1	U-Nut
18	116-7431-01	1	Cover-Belt, Back
19	106-2240	1	Knob
20	3211-9	1	Screw-HH ◆
21	116-7922-01	1	Shield-Ice
22	116-8721	1	Adapter
23	01-201-4520	1	Cap
25	116-8549	1	Guard-Muffler
26	116-8505	1	Decal-Engine Fuel
29	117-2718	1	Decal-Arrester, Spark

● Not serviced separately

▲ Obtain parts from [www.kohlerplus.com](http://www.kohlerplus.com)

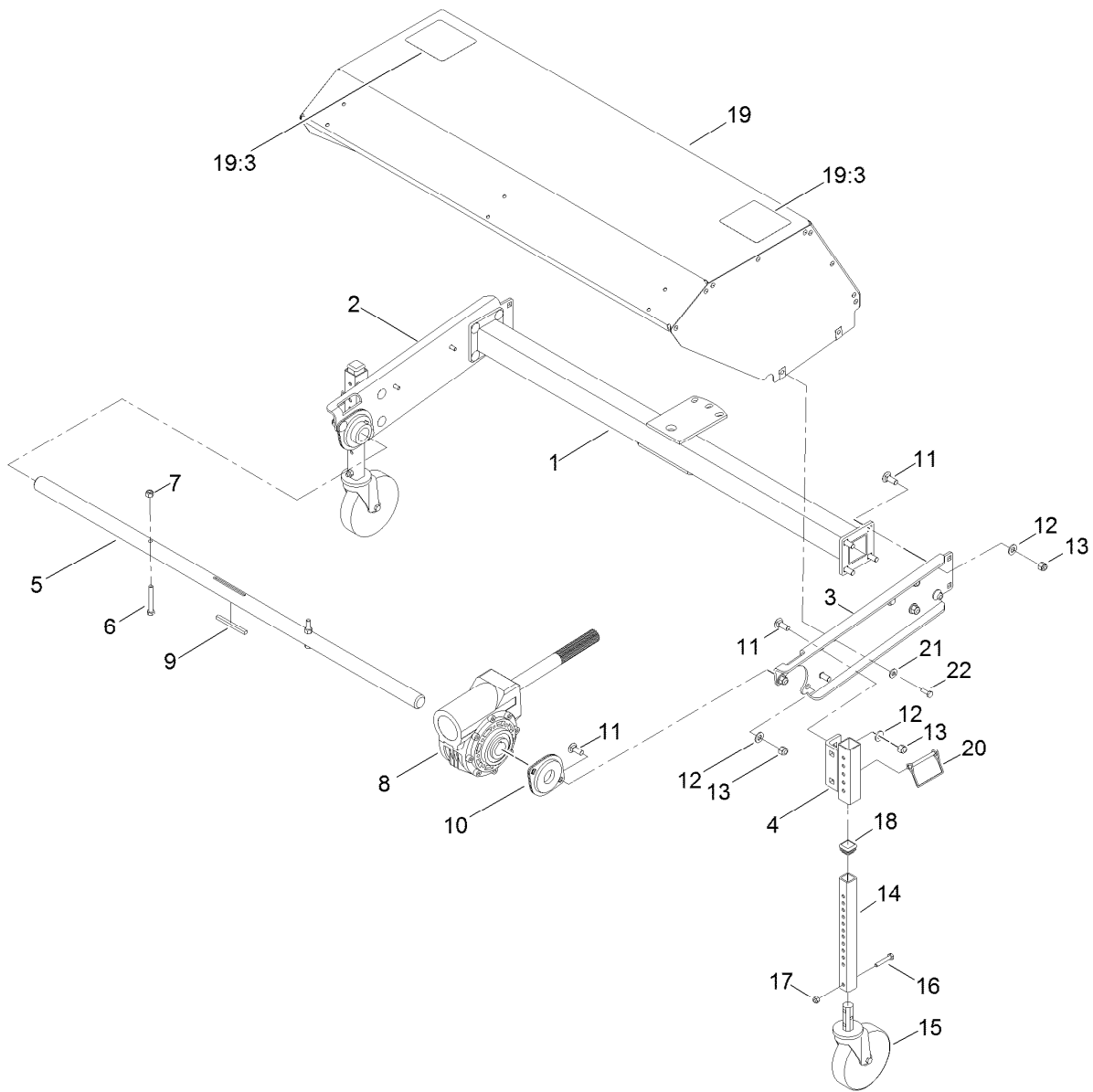
◆ Use Pro-Lock, Nut Type (P/N 1-840022, .5ml tube) on threads.

■ Apply anti-seize compound in bore.



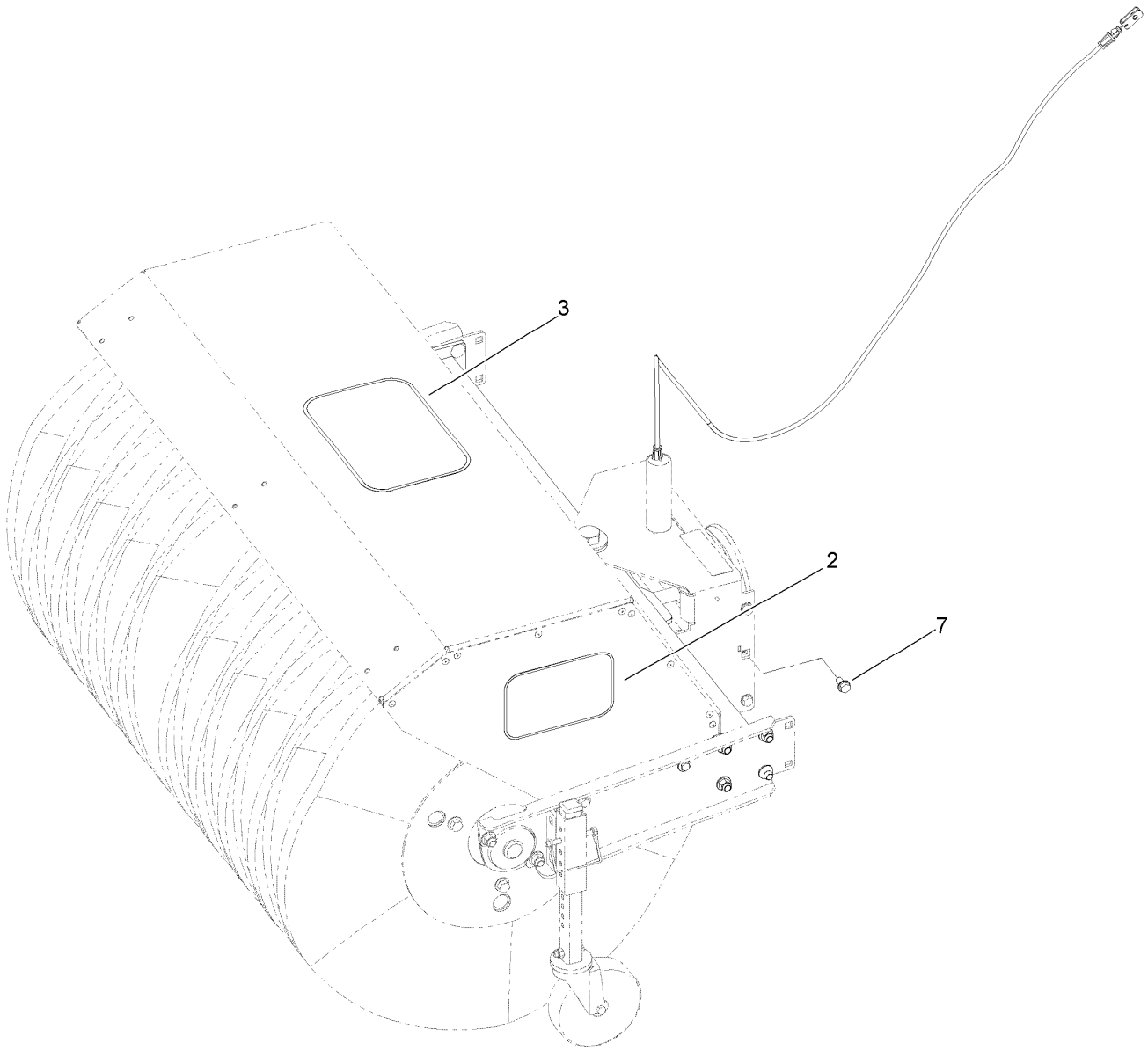
## Mounting Assembly

<i>Ref.</i>	<i>Part Number</i>	<i>Qty.</i>	<i>Description</i>	<i>Ref.</i>	<i>Part Number</i>	<i>Qty.</i>	<i>Description</i>
1	116-8122	1	Frame-Broom, Mounting ASM	8	3256-8	1	Washer-Flat
1:1	112-9028	1	Decal-Cover Missing	9	3216-7	1	Screw-HH
1:2	115-2903	2	Decal-Grease	12	116-8106	1	Pin-Swing
2	116-8103	2	Bearing-.75 Shaft	13	116-8107	1	Spring-Compression
3	3230-1	4	Bolt-CARR	14	3290-496	6	Nut-Retainer
4	32128-20	4	Nut-HF	15	302-19	1	Fitting-Grease
5	116-8104	1	Driveline-Series	16	116-7671	1	Cable-Broom Angle
6	116-8105	1	Key-Round End	17	3217-26	1	Nut-Hex
7	116-7930	1	Pulley-Impeller	18	116-8108	1	Cap-Vinyl



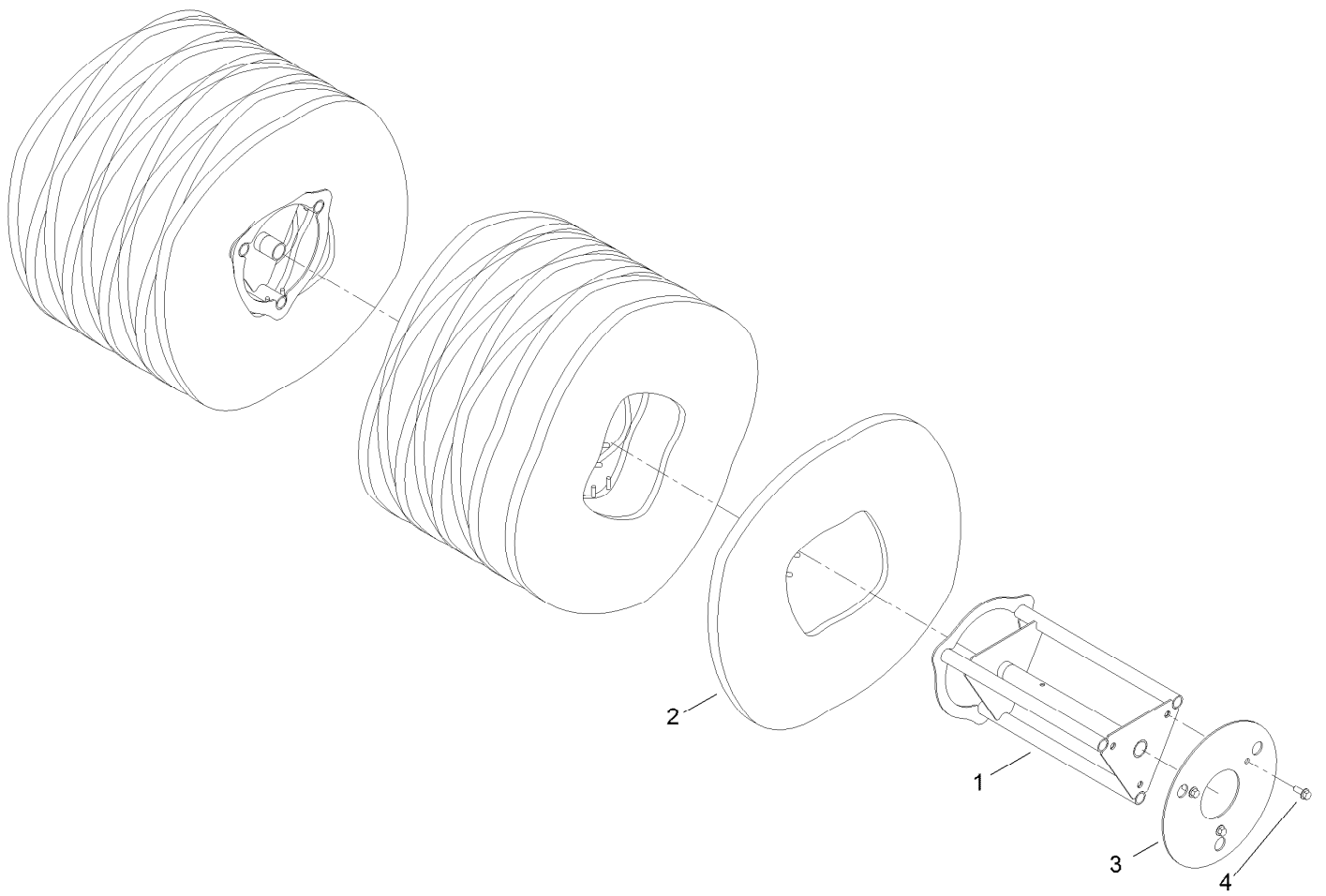
## Broom Head and Frame Assembly

Ref.	Part Number	Qty.	Description	Ref.	Part Number	Qty.	Description
1	116-8544	1	Frame	13	3296-39	16	Nut-Lock, NI
2	116-8546	1	Arm-Right	14	116-8223	2	Tube-Square, Height Adjust
3	116-8545	1	Arm-Left	15	116-8117	2	Caster-Wheel
4	116-8543	2	Caster-Bracket	16	321-9	2	Screw-HH
5	116-8114	1	Shaft	17	3296-42	2	Nut-Lock, NI
6	322-11	2	Screw-HH	18	103-3202	2	Cap
7	3296-29	2	Nut-Lock, NI	19	116-8123	1	Broom-Hood ASM
8	116-8115	1	Gearbox-Worm	19:3	116-8140	2	Decal-Warning
9	83-2800	1	Key-Straight	20	116-8224	2	Pin, Wire Lock
10	116-8116	2	Bearing-Flange	21	3256-2	4	Washer-Flat
11	3231-2	16	Bolt-CARR	22	321-4	4	Screw-HH
12	3256-24	16	Washer-Flat				



## Broom Head

<i>Ref.</i>	<i>Part Number</i>	<i>Qty.</i>	<i>Description</i>
2	62-5550	2	Decal
3	66-6140	1	Decal
7	32144-14	6	Screw-HWHTF



## Core Assembly

<i>Ref.</i>	<i>Part Number</i>	<i>Qty.</i>	<i>Description</i>
1	116-8119	2	Core-Broom
2	116-8120	18	Segment-Poly
3	116-8121	2	Plate-End, Retainer
4	3234-11	6	Screw-HHF



# Attachments and Accessories

## For 23740 Walk-Behind Rotary Broom

<b>Product Name</b>	<b>Model/Part</b>
Cab Kit.....	116-8227
Turf Caster Kit.....	116-8228
Dirt Deflector Kit.....	116-8229
Debris Box Kit.....	116-8230
Black Snow/Ice Wafers.....	116-8232
Yellow Turf Wafers.....	116-8233
Light Kit.....	116-8234

**Notes:**

**Notes:**



**Count on it.**