



**Count on it.**

**Parts Catalog**

**Power Clear® 721 R-C  
Commercial Snowthrower**

Model No. 38751—Serial No. 314000001 and Up



# Ordering Replacement Parts

To order replacement parts, please supply the part number, the quantity, and the description of each part desired.

## Understanding Reference Numbers

Each identified part in an illustration has a reference number. The reference number for a part also appears in the parts list, along with other information about the part.

This catalog uses two special reference number formats, one to indicate parts in a service assembly and another to indicate the quantity of a given part in an illustration.

## Service Assembly Reference Numbers

Parts in service assemblies have reference numbers in the form a:b. The a represents the reference number of the entire service assembly and the b represents a sequential number unique to each part within the service assembly.

For example, a wheel assembly might be identified by reference number 6, the tire by 6:1, the valve by 6:2, and the wheel by 6:3. When you order the assembly identified by reference number 6, you receive all parts identified by reference numbers 6:1, 6:2, and 6:3. However, you may also order any part individually. Reference numbers of this type appear in illustration and in parts lists.

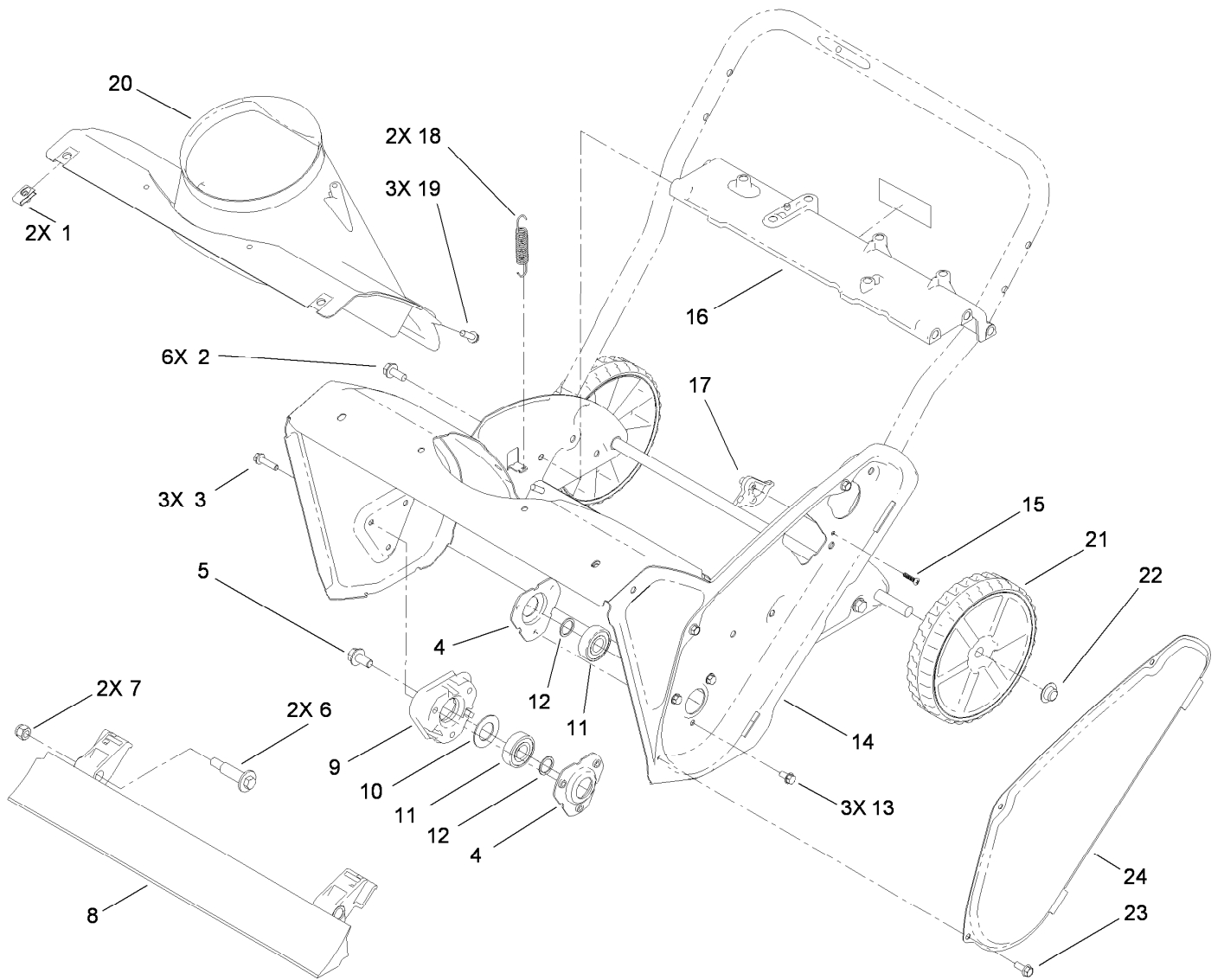
## Reference Numbers Indicating Quantity

In an illustration, if a reference number indicates more than one part, the reference number has the form nX y. The n represents the quantity of the part, the X is the multiplication symbol, and the y represents the reference number.

For example, in an illustration, the reference number 2X 37 means that two of the parts identified by reference number 37 are indicated.

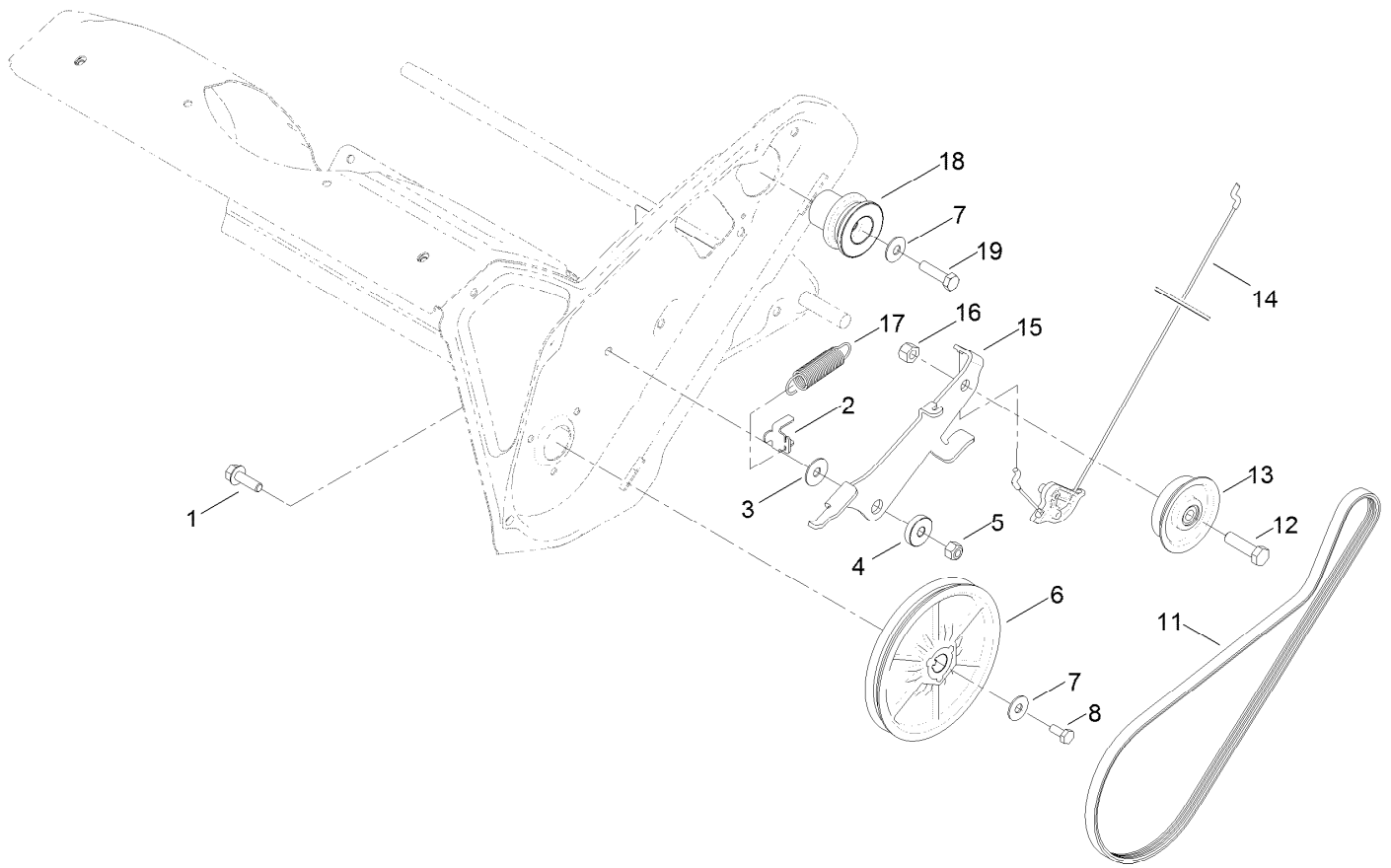
# Contents

Main Frame Assembly .....	4
Clutch Cable and Belt Drive Assembly .....	5
Rotor Assembly .....	6
Engine Assembly .....	7
Engine Assembly No. 1 .....	8
Engine Assembly No. 2 .....	10
Engine Assembly No. 3 .....	12
Shroud and Gas Tank Assembly .....	13
Chute Control Assembly .....	14
Discharge Chute Control Assembly .....	15
Upper Handle Assembly .....	16
Attachments and Accessories .....	17



## Main Frame Assembly

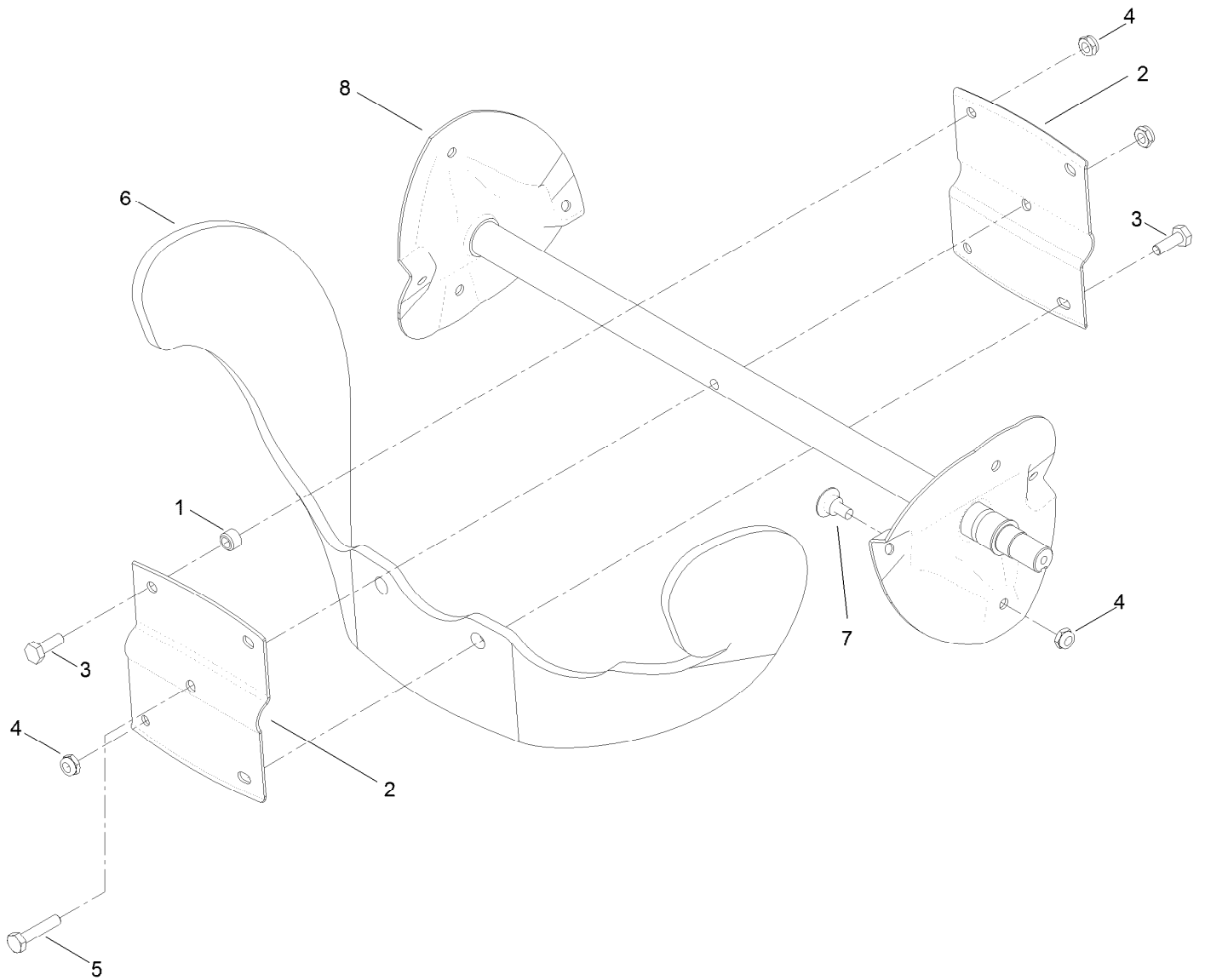
<i>Ref.</i>	<i>Part Number</i>	<i>Qty.</i>	<i>Description</i>	<i>Ref.</i>	<i>Part Number</i>	<i>Qty.</i>	<i>Description</i>
1	107069	2	Clip	13	32144-4	3	Screw-HWH
2	32144-11	6	Screw-HWHTF	14	108-4868-03	1	Housing-Auger
3	32144-86	3	Screw-HWHTF	15	94-4496	1	Screw-PPH
4	108-4943	2	Flange-Bearing	16	108-4905	1	Brace-Frame
5	110-9380	1	Screw-HWH	17	108-4919	1	Guide-Cable, Clutch
6	56-6590	2	Bolt-Wheel	18	108-4906	2	Spring-Extension
7	3296-39	2	Nut-Lock, NI	19	46-8091	3	Screw-HWH
8	108-4884	1	Blade-Scraper	20	108-4871	1	Chute-Lower
9	114-3781	1	Spacer-Bearing, RH	21	117-2309	2	Wheel ASM
10	110-9353	1	Washer-Rubber	22	32112-14	2	Nut-Push
11	100-1048	2	Bearing-Ball	23	32144-85	3	Screw-HWH
12	52-7280	2	Washer-Thrust	24	108-4893-03	1	Cover-Belt



## Clutch Cable and Belt Drive Assembly

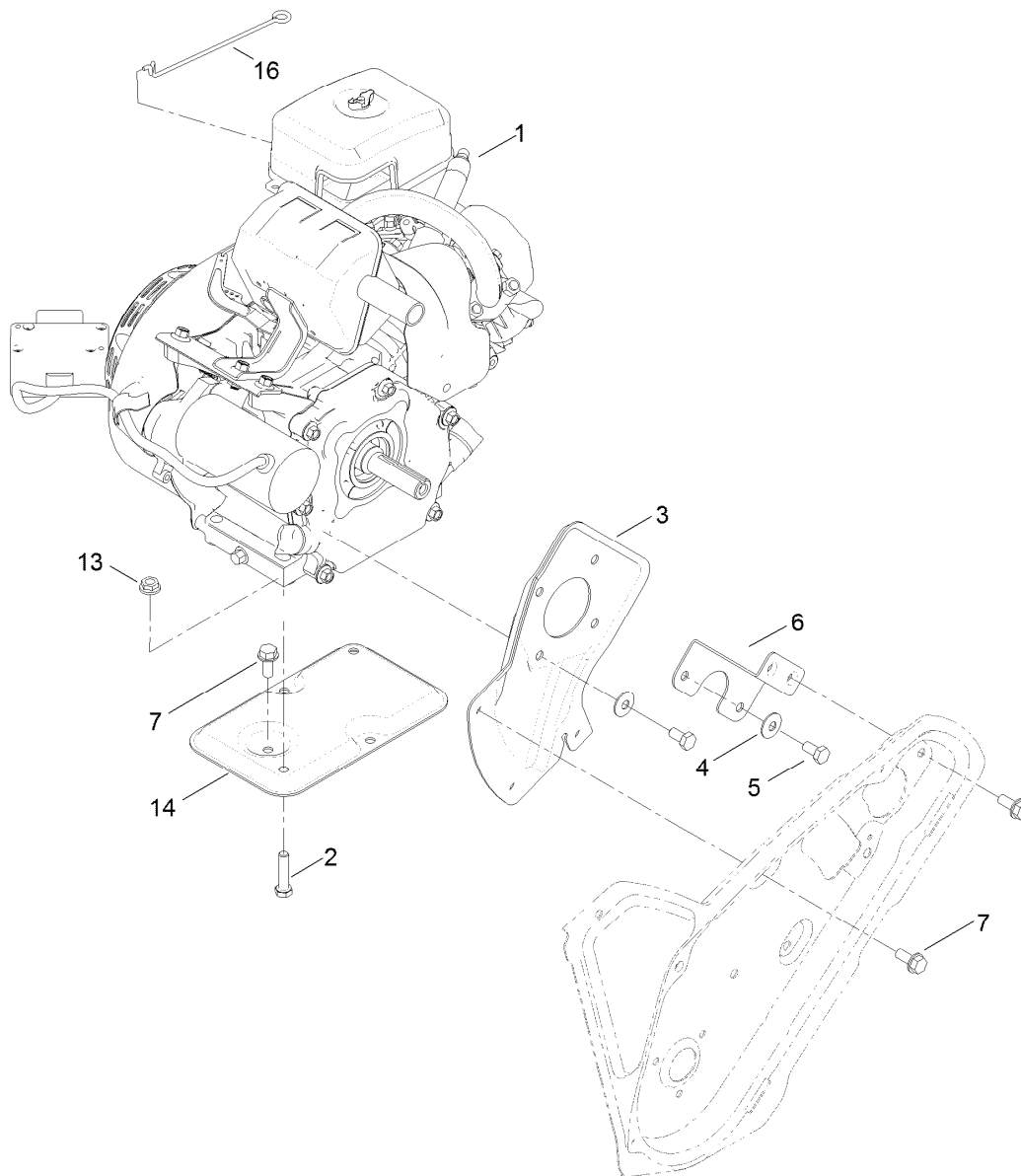
<i>Ref.</i>	<i>Part Number</i>	<i>Qty.</i>	<i>Description</i>
1	3234-29	1	Screw-HHF
2	108-4938	1	Clip-Spring, Brake
3	108-4925	1	Washer
4	108-4916	1	Bushing-Pivot
5	3296-29	1	Nut-Lock, NI
6	121-6624	1	Pulley
7	3290-456	2	Washer-Belleville
8	110-9381	1	Screw-HH
11	121-6622	1	Belt-Drive

<i>Ref.</i>	<i>Part Number</i>	<i>Qty.</i>	<i>Description</i>
12	323-29	1	Screw-HH
13	114-3785	1	Pulley-Idler
14	115-5682	1	Cable-Clutch
15	114-3782	1	Arm-Idler
16	32152-2	1	Nut-Lock, Cone
17	121-6630	1	Spring-Extension
18	125-7927	1	Pulley-Engine
19	121-6646	1	Screw-HH



## Rotor Assembly

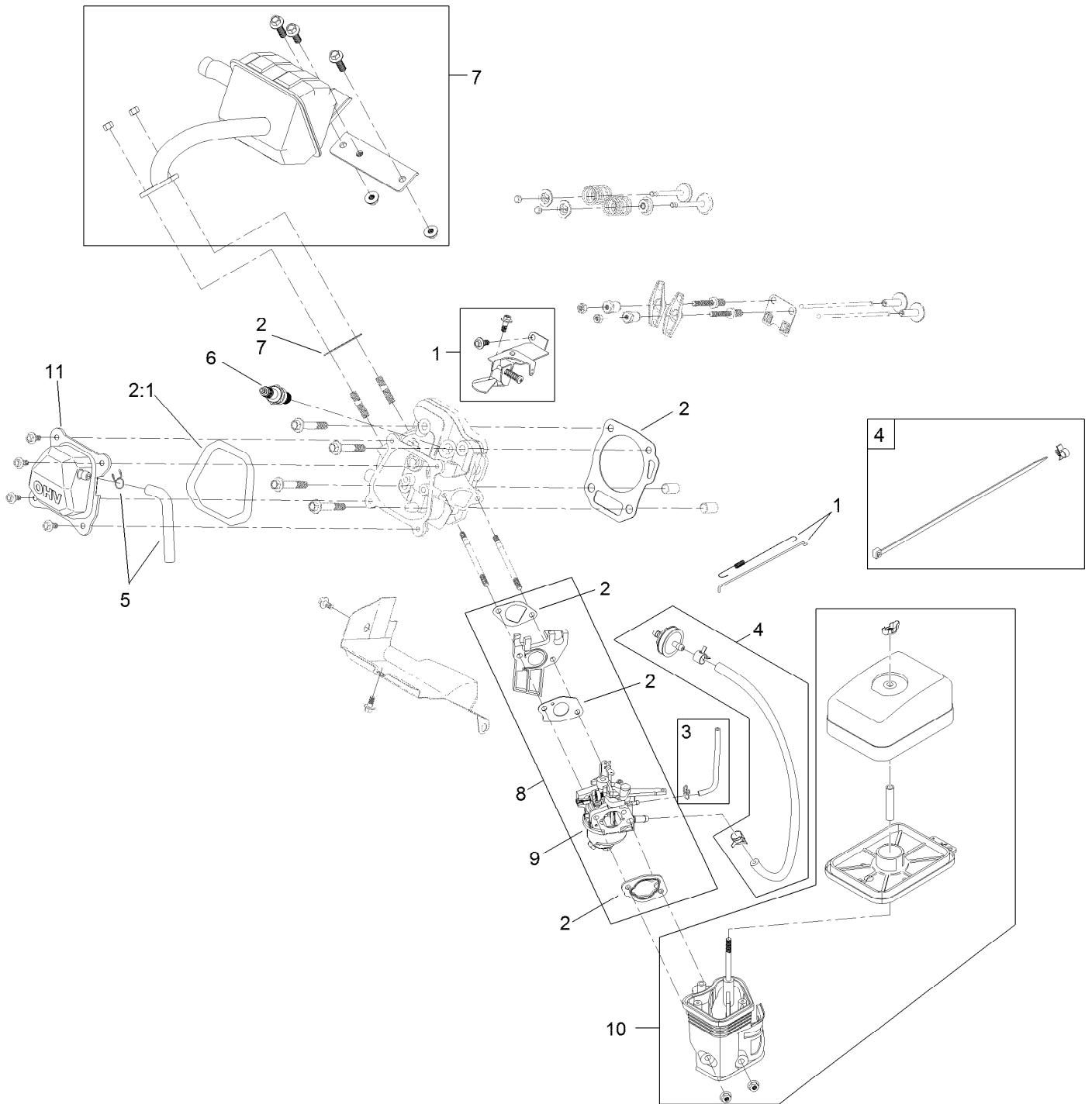
Ref.	Part Number	Qty.	Description
1	125-7935	4	Spacer-Blade, Rotor
2	66-6600-03	2	Half-Rotor
3	321-5	4	Screw-HH
4	3296-56	13	Nut-Lock, NI
5	321-8	1	Screw-HH
6	125-1128	2	Blade-Rotor
7	125-1122	8	Screw
8	108-4894-03	1	Rotor



## Engine Assembly

<i>Ref.</i>	<i>Part Number</i>	<i>Qty.</i>	<i>Description</i>
1	121-4224	1	Engine-170Fs-2
2	322-17	2	Screw-HH
3	108-4892-03	1	Plate-Engine, PTO
4	3290-456	4	Washer-Belleville
5	33104-016	4	Screw-HHF
6	110-9354-03	1	Support-Engine, Side
7	32144-11	7	Screw-HWHTF
13	32128-20	2	Nut-HF
14	117-6037-03	1	Support-Engine
16	117-6040	1	Link-Knob, Choke

# Engine Assembly No. 1

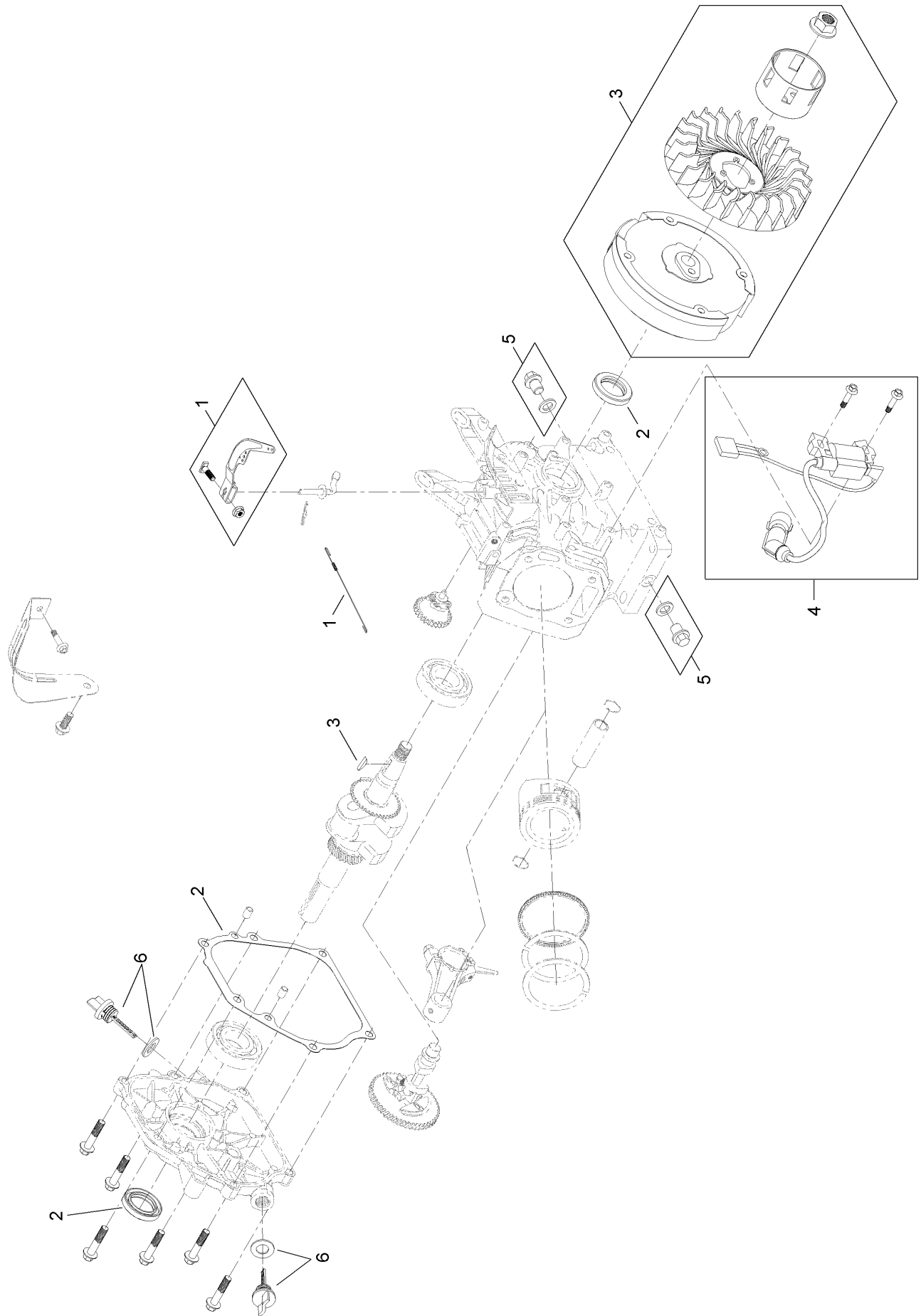




## Engine Assembly No. 1 (continued)

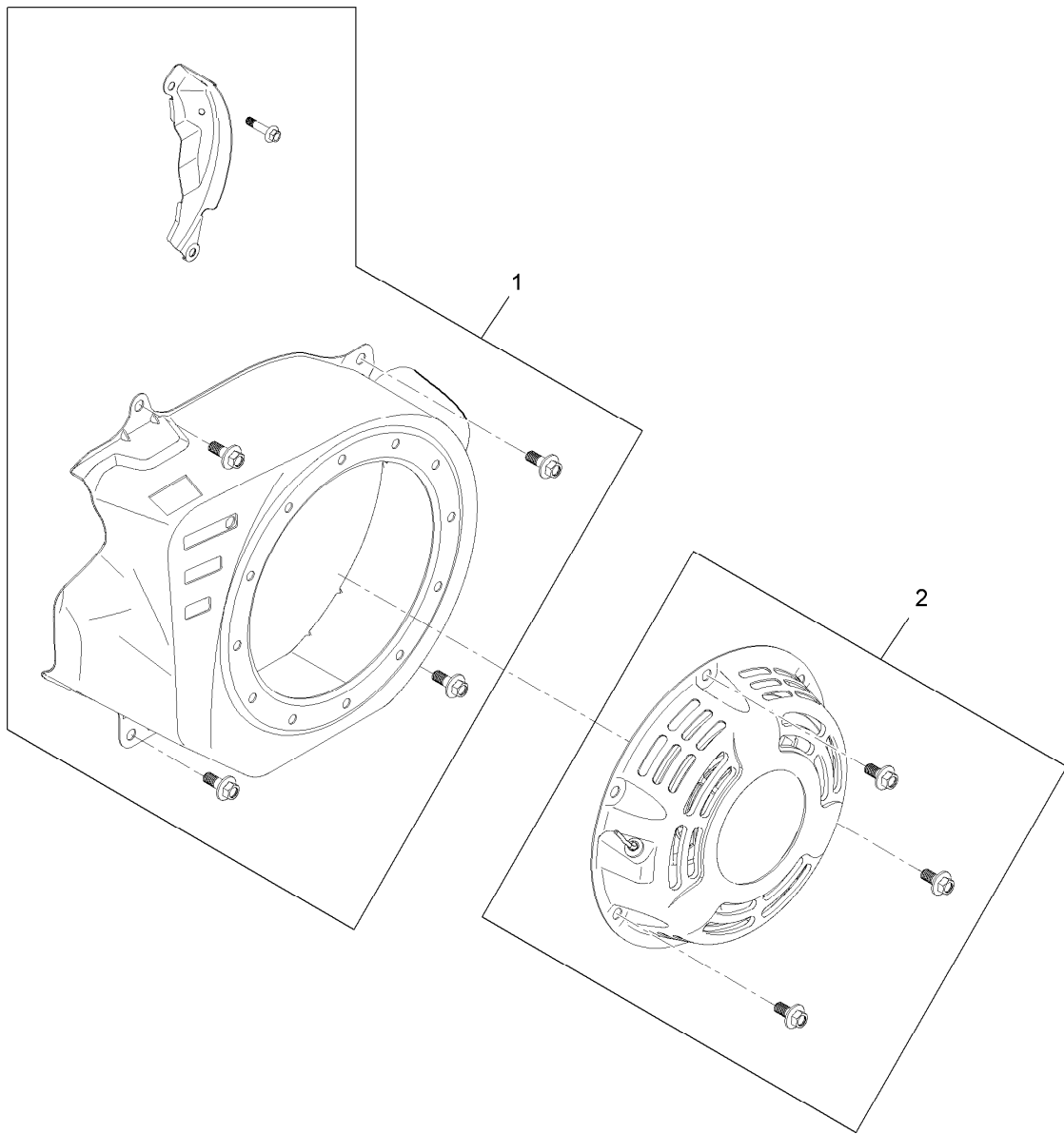
<i>Ref.</i>	<i>Part Number</i>	<i>Qty.</i>	<i>Description</i>	<i>Ref.</i>	<i>Part Number</i>	<i>Qty.</i>	<i>Description</i>
1	119-1957	1	Governor Kit	7	121-4297	1	Muffler Kit
2	127-9001	1	Gasket And Seal Kit	8	127-9008	1	Carburetor Kit
2:1	121-0109	1	Gasket-Cover, Valve	9	120-4416	1	Carb Float, Valve And Gasket Kit
3	119-1949	1	Primer Line Kit	10	121-4282	1	Heater Box Kit
4	121-4299	1	Fuel Line Kit	11	121-0499	1	Valve Cover ASM
5	119-1921	1	Breather Tube Kit				
6	119-1901	1	Plug-Spark				

# Engine Assembly No. 2



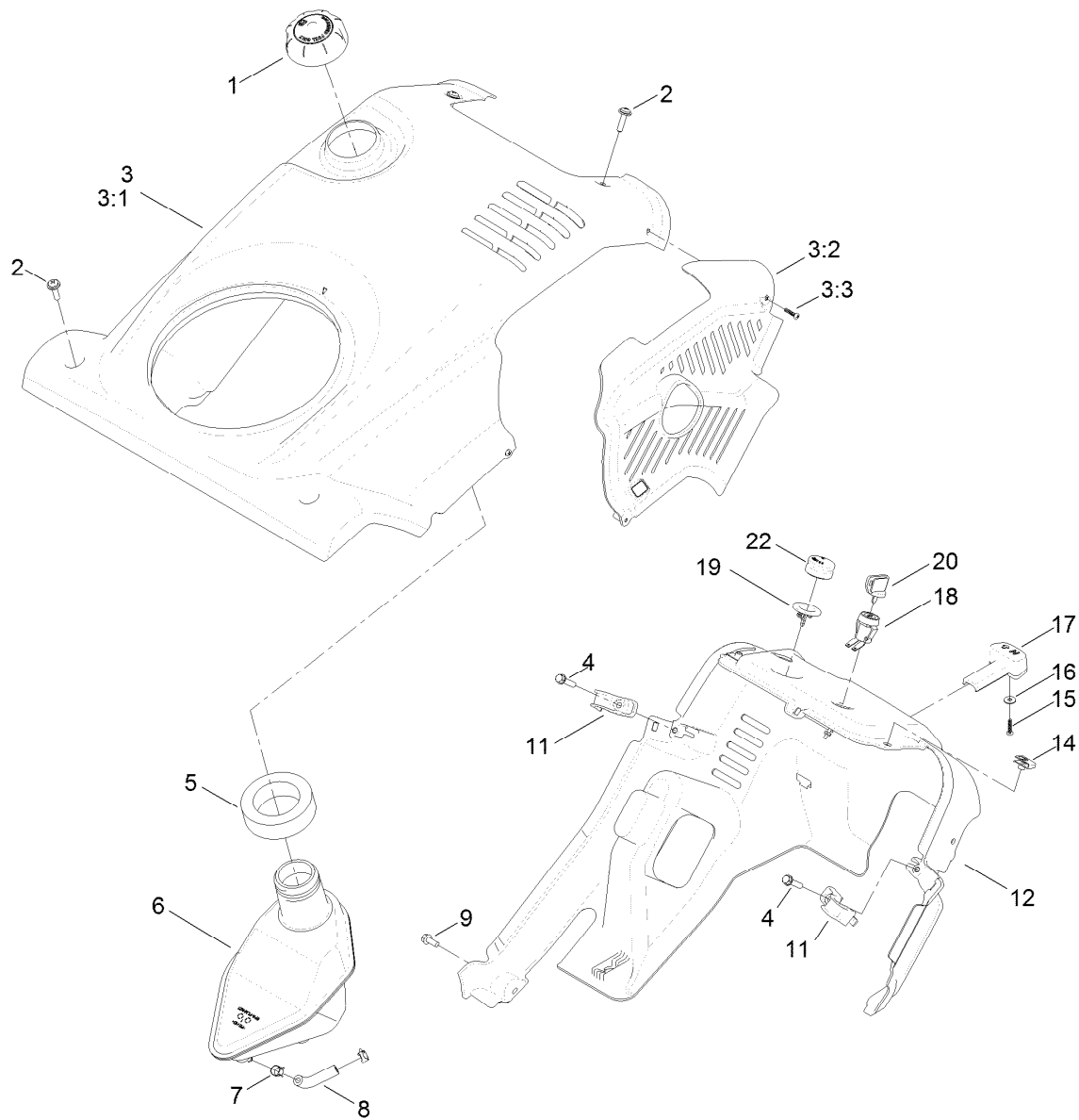
## Engine Assembly No. 2 (continued)

<i>Ref.</i>	<i>Part Number</i>	<i>Qty.</i>	<i>Description</i>	<i>Ref.</i>	<i>Part Number</i>	<i>Qty.</i>	<i>Description</i>
1	119-1957	1	Governor Kit	5	119-1923	2	Drain Plug Kit
2	127-9001	1	Gasket And Seal Kit	6	119-1944	2	*obs* Dipstick And O-Ring Kit
3	127-9004	1	Recoil Flywheel Kit				
4	119-1959	1	Ignition Kit				



### Engine Assembly No. 3

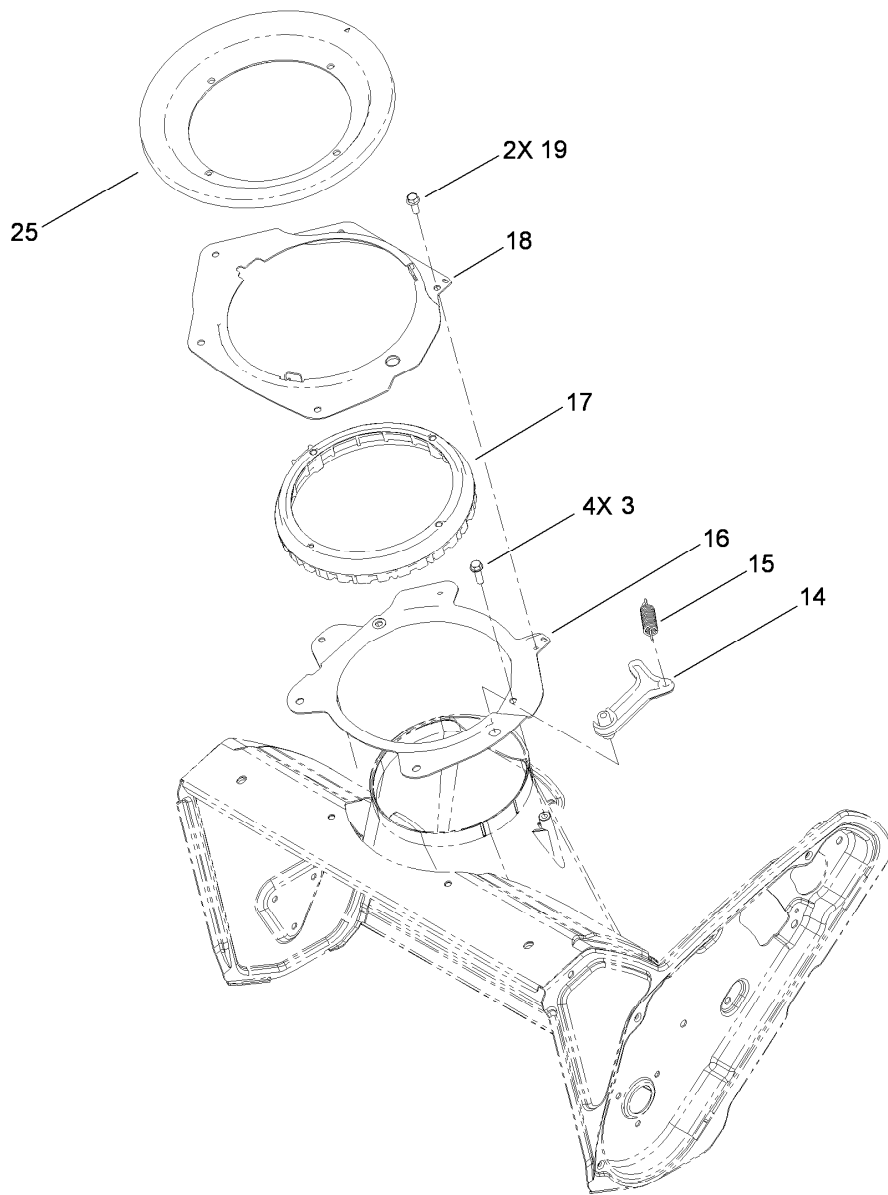
<i>Ref.</i>	<i>Part Number</i>	<i>Qty.</i>	<i>Description</i>
1	127-9010	1	Blower Shroud Kit
2	121-4252	1	Recoil Kit



## Shroud and Gas Tank Assembly

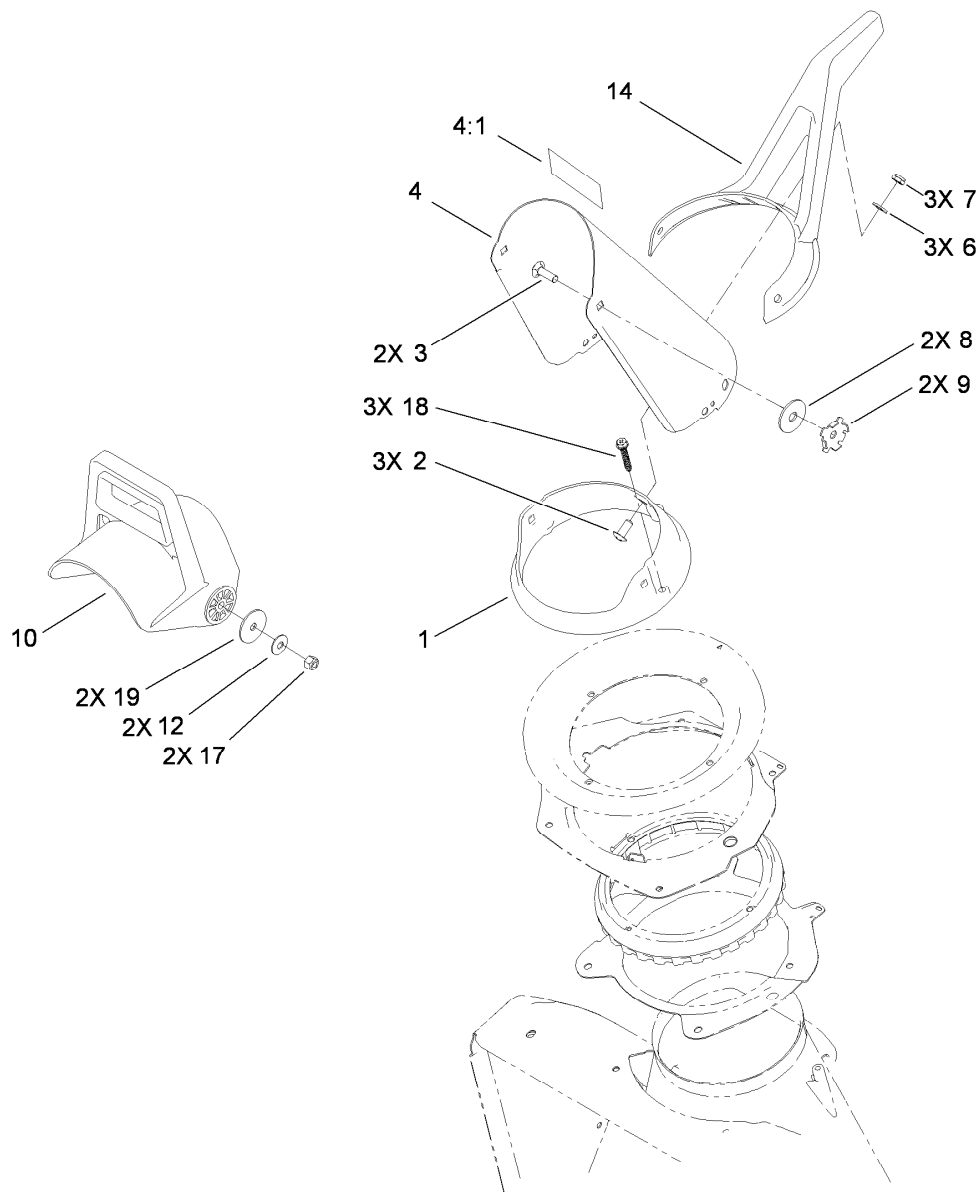
Ref.	Part Number	Qty.	Description
1	125-7928	1	Cap-Gas
2	110-9361	4	Screw-PPH
3	125-7942	1	Shroud ASM
3:1	125-7939	1	Shroud
3:2	117-6035	1	Baffle-Exhaust
3:3	94-4496	1	Screw-PPH
4	46-8092	2	Screw-Plastite
5	114-3773	1	Seal-Tank
6	120-9848	1	Tank-Fuel, Gas
7	2412-98	2	Clamp-Hose
8	114-3765	1	Hose-Fuel

Ref.	Part Number	Qty.	Description
9	32144-85	1	Screw-HWH
11	108-4947	2	Clip-Shroud
12	117-6036	1	Shroud-Lower
14	107069	2	Clip
15	94-4496	1	Screw-PPH
16	3256-49	1	Washer-Plain
17	117-9100	1	Knob-Choke
18	40-5940	1	Switch
19	44-2750	1	Body-Primer
20	63-8360	1	Key-Ignition
22	66-7460	1	Bulb-Primer



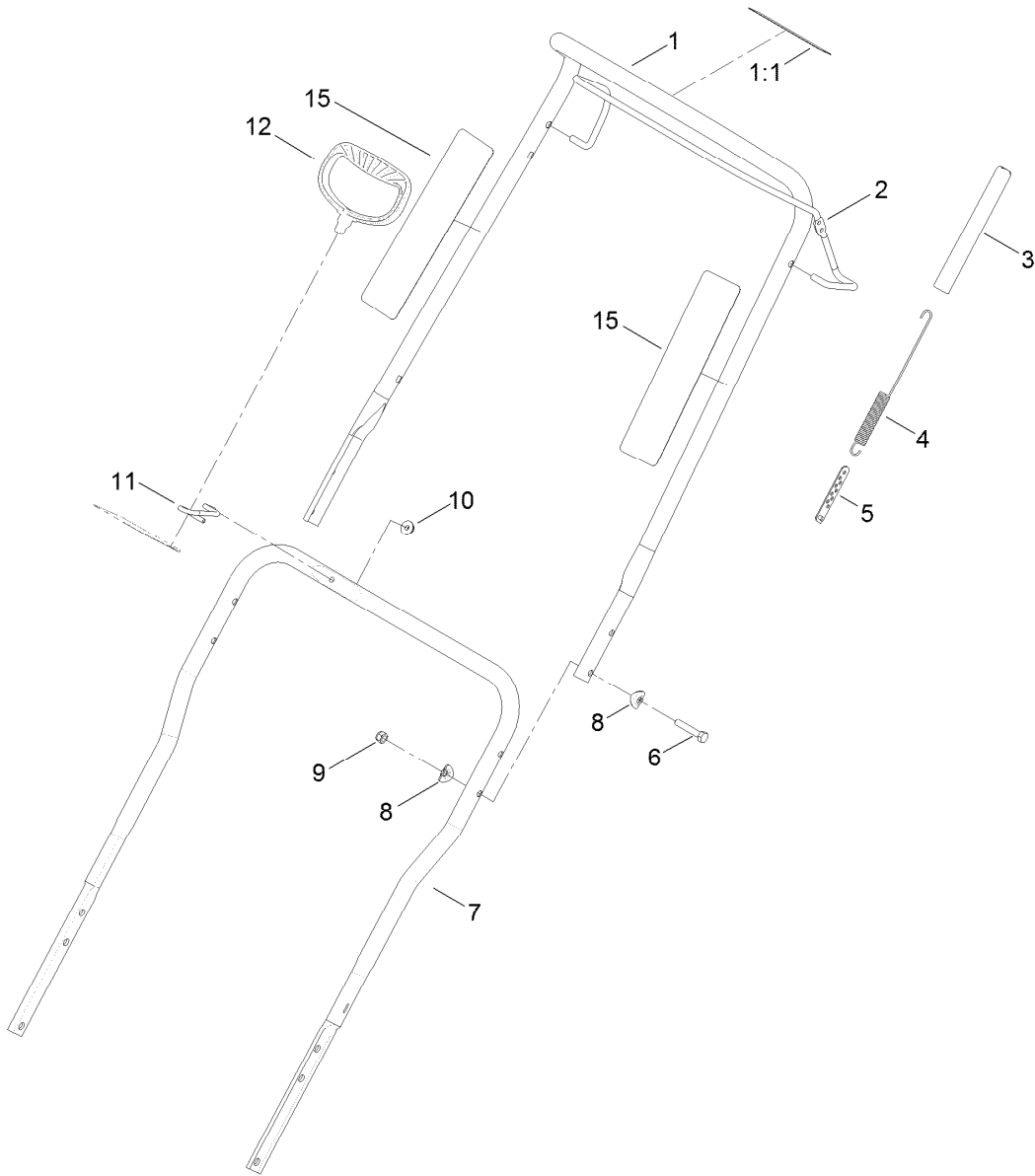
## Chute Control Assembly

<i>Ref.</i>	<i>Part Number</i>	<i>Qty.</i>	<i>Description</i>
3	46-8091	4	Screw-HWH
14	108-4926	1	Pawl-Detent
15	80-4600	1	Spring-Extension
16	108-4883-03	1	Ring-Support, Chute
17	108-4922	1	Ring-Chute, Detent
18	108-4874-03	1	Retainer-Ring, Chute
19	32144-85	2	Screw-HWH
25	114-3772	1	Seal-Ring, Chute



## Discharge Chute Control Assembly

Ref.	Part Number	Qty.	Description
1	112-1546	1	Ring-Chute
2	100-5487	3	Screw-PTH
3	3230-22	2	Screw-CARR
4	120-0131	1	Discharge Chute ASM
4:1	115-5660	1	Decal-Danger, CE
6	3256-70	3	Washer-Flat
7	3296-47	3	Nut-Lock, NI
8	20-4320	2	Washer-Rubber
9	55-8950	2	Plate-Friction
10	56-2680	1	Chute-Deflector
12	3290-456	2	Washer-Belleville
14	94-9914	1	Handle-Control, Chute
17	3296-29	2	Nut-Lock, NI
18	108-4946	3	Screw-Plastite
19	3256-68	2	Washer-Flat



## Upper Handle Assembly

Ref.	Part Number	Qty.	Description
1	114-3768	1	Upper Handle ASM
1:1	94-2577	1	Decal-Drive, Rotor
2	114-3780-03	1	Bail-Control
3	114-3796	1	Cover-Spring
4	125-1148	1	Spring-Extension, Clutch
5	71-5330	1	Adjuster-Cable, Clutch
6	125-7944	4	Screw-HH
7	108-4944-03	1	Handle-Lower
8	107-3844	8	Washer
9	3296-72	4	Nut-Lock, NI
10	114-3778	1	Nut-HF
11	108-4949	1	Guide-Rope
12	117-9104	1	Handle-Recoil
15	125-7938	2	Decal-Tape, Reflective



# Attachments and Accessories

## For 38751 Power Clear 721 R-C Commercial Snowthrower

<b>Product Name</b>	<b>Model/Part</b>
Engine Maintenance Kit.....	138-0699
Case of 24 20-Ounce Bottles 5W30 Winter Oil .....	38908
Toro Single Stage Cover .....	490-7464
Plain Single Stage Cover .....	490-7465
Snow Cab .....	88-0600

**Notes:**

**Notes:**



**Count on it.**