



Count on it.

Parts Catalog

**Power Clear® 518 ZR
Snowthrower**

Model No. 38472—Serial No. 315000001 and Up



Ordering Replacement Parts

To order replacement parts, please supply the part number, the quantity, and the description of each part desired.

Understanding Reference Numbers

Each identified part in an illustration has a reference number. The reference number for a part also appears in the parts list, along with other information about the part.

This catalog uses two special reference number formats, one to indicate parts in a service assembly and another to indicate the quantity of a given part in an illustration.

Service Assembly Reference Numbers

Parts in service assemblies have reference numbers in the form a:b. The a represents the reference number of the entire service assembly and the b represents a sequential number unique to each part within the service assembly.

For example, a wheel assembly might be identified by reference number 6, the tire by 6:1, the valve by 6:2, and the wheel by 6:3. When you order the assembly identified by reference number 6, you receive all parts identified by reference numbers 6:1, 6:2, and 6:3. However, you may also order any part individually. Reference numbers of this type appear in illustration and in parts lists.

Reference Numbers Indicating Quantity

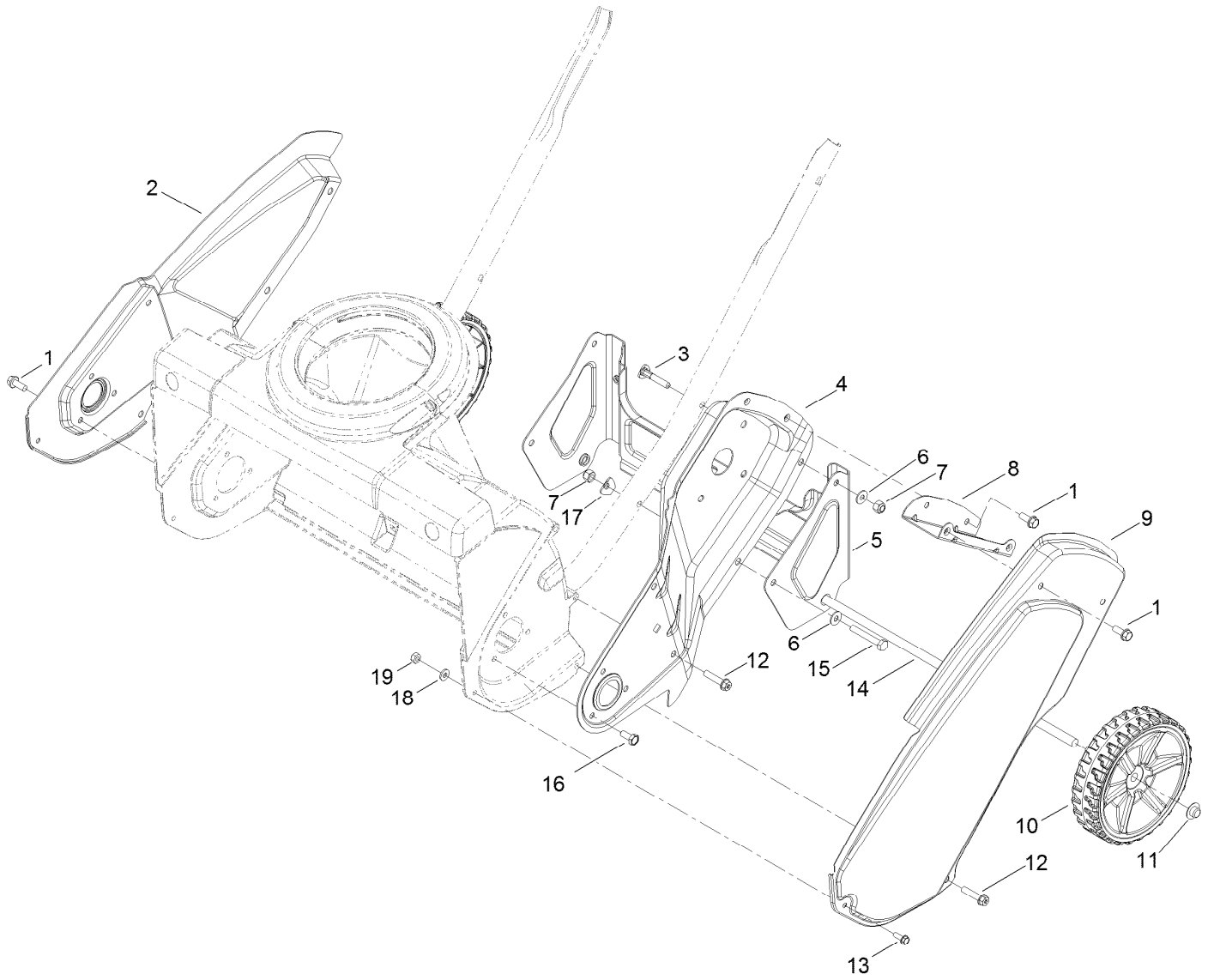
In an illustration, if a reference number indicates more than one part, the reference number has the form nX y. The n represents the quantity of the part, the X is the multiplication symbol, and the y represents the reference number.

For example, in an illustration, the reference number 2X 37 means that two of the parts identified by reference number 37 are indicated.

Contents

| | |
|--|----|
| Main Frame and Wheel Assembly | 4 |
| Auger Housing Assembly | 6 |
| Rotor Drive Assembly | 8 |
| Belt and Drive Assembly | 10 |
| Engine Assembly | 12 |
| Engine Assembly No. 1 | 14 |
| Engine Assembly No. 2 | 16 |
| Engine Assembly No. 3 | 18 |
| Shroud Asseembly | 20 |
| Handle Assembly | 22 |
| Deflector Chute Control Assembly | 24 |
| Attachments and Accessories | 26 |

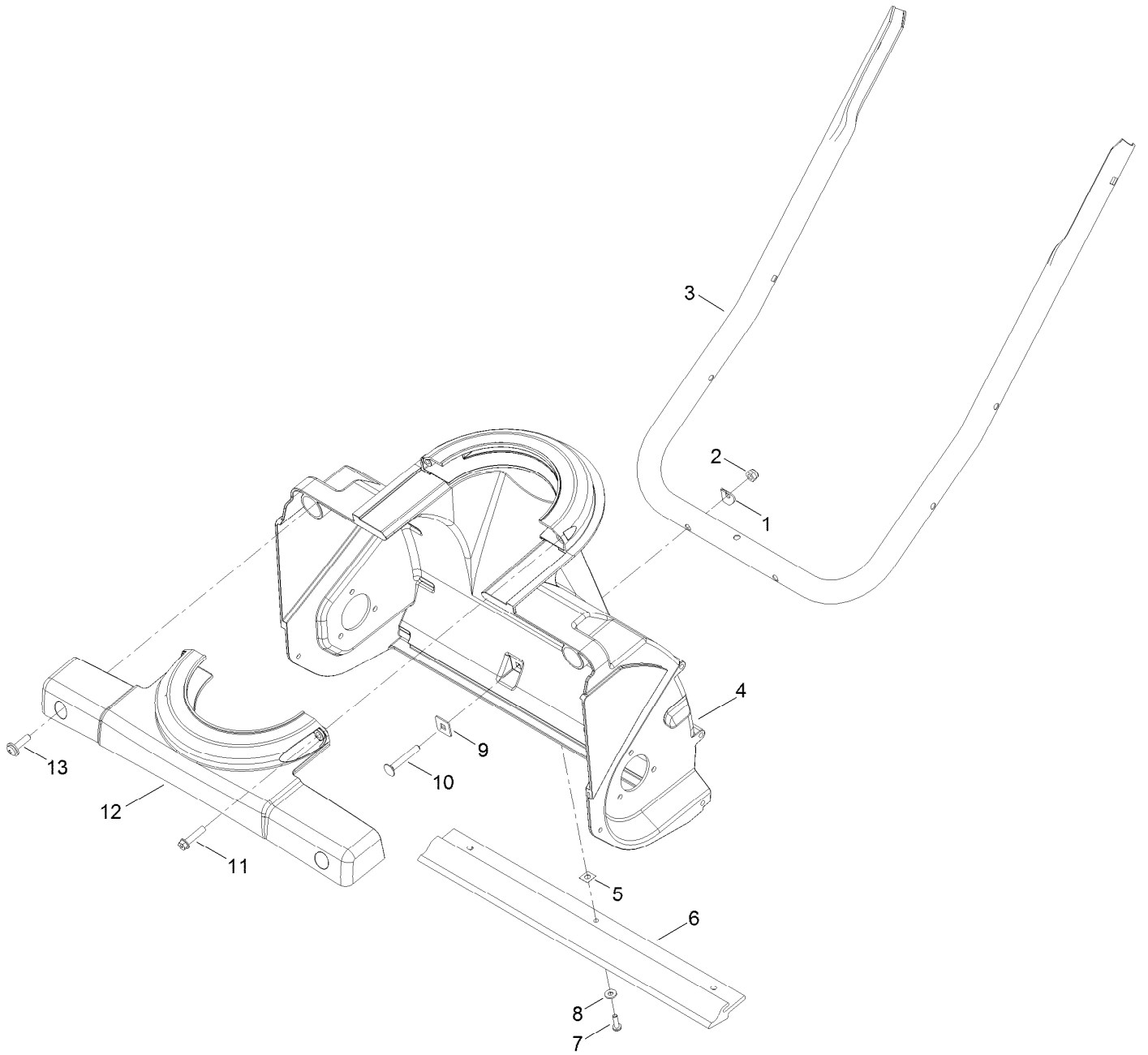
Main Frame and Wheel Assembly



Main Frame and Wheel Assembly (continued)

| <i>Ref.</i> | <i>Part Number</i> | <i>Qty.</i> | <i>Description</i> | <i>Ref.</i> | <i>Part Number</i> | <i>Qty.</i> | <i>Description</i> |
|-------------|--------------------|-------------|---------------------|-------------|--------------------|-------------|--------------------|
| 1 | 32144-85 | 7 | Screw-HWH | 11 | 3290-320 | 2 | Nut-Push |
| 2 | 117-7704-03 | 1 | Sideplate-RH | 12 | 46-8094 | 6 | Screw-Plastic |
| 3 | 117-7737 | 2 | Screw-Handle | 13 | 32105-23 | 2 | Screw |
| 4 | 117-2349-03 | 1 | Sideplate-LH | 14 | 117-2339 | 1 | Axle |
| 5 | 117-7702-03 | 1 | Bracket-Wheel | 15 | 321-53 | 2 | Screw-HH |
| 6 | 3256-1 | 4 | Washer-Flat | 16 | 114-9291 | 3 | Screw-HH, Taptite |
| 7 | 3296-73 | 4 | Nut-Lock, NI | 17 | 3-7501 | 2 | Washer |
| 8 | 117-2334-03 | 1 | Bracket-Cover, Belt | 18 | 3256-14 | 2 | Washer-Flat |
| 9 | 117-7703-03 | 1 | Cover-Belt | 19 | 3296-2 | 2 | Nut-Lock, NI |
| 10 | 117-2306 | 2 | Wheel ASM | | | | |

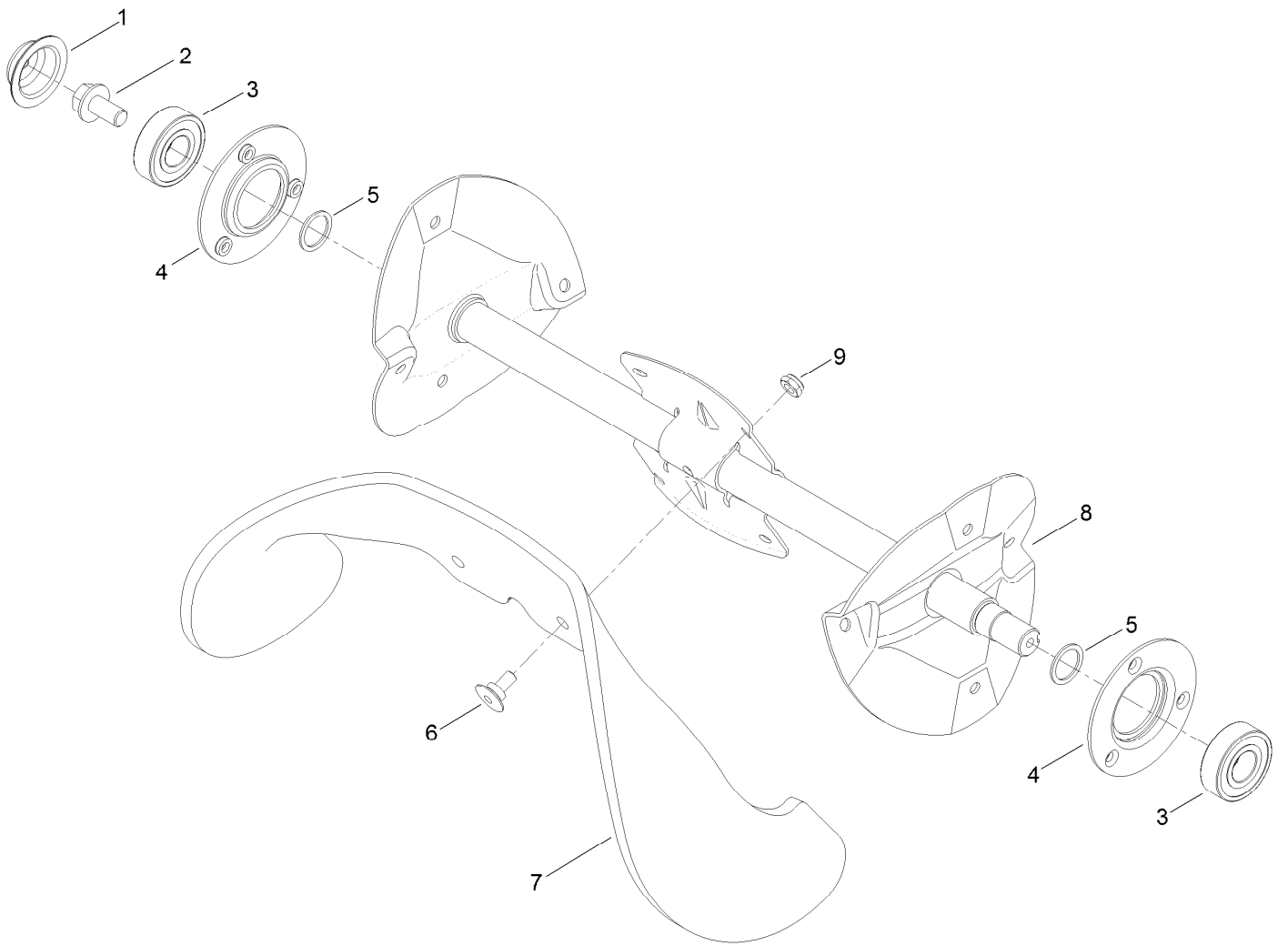
Auger Housing Assembly



Auger Housing Assembly (continued)

| <i>Ref.</i> | <i>Part Number</i> | <i>Qty.</i> | <i>Description</i> | <i>Ref.</i> | <i>Part Number</i> | <i>Qty.</i> | <i>Description</i> |
|-------------|--------------------|-------------|--------------------|-------------|--------------------|-------------|--------------------|
| 1 | 3-7501 | 2 | Washer | 8 | 3256-14 | 3 | Washer-Flat |
| 2 | 3296-73 | 2 | Nut-Lock, NI | 9 | 75-9040 | 2 | Washer-Square |
| 3 | 117-2348-03 | 1 | Handle-Lower | 10 | 3229-5 | 2 | Screw-CARR |
| 4 | 117-2331 | 1 | Housing-Lower | 11 | 46-8094 | 2 | Screw-Plastic |
| 5 | 32115-19 | 3 | Nut-Clip, U | 12 | 117-2332 | 1 | Retainer-Chute |
| 6 | 117-7717 | 1 | Scraper | 13 | 110-9361 | 2 | Screw-PPH |
| 7 | 32144-34 | 3 | Screw-HWHTF | | | | |

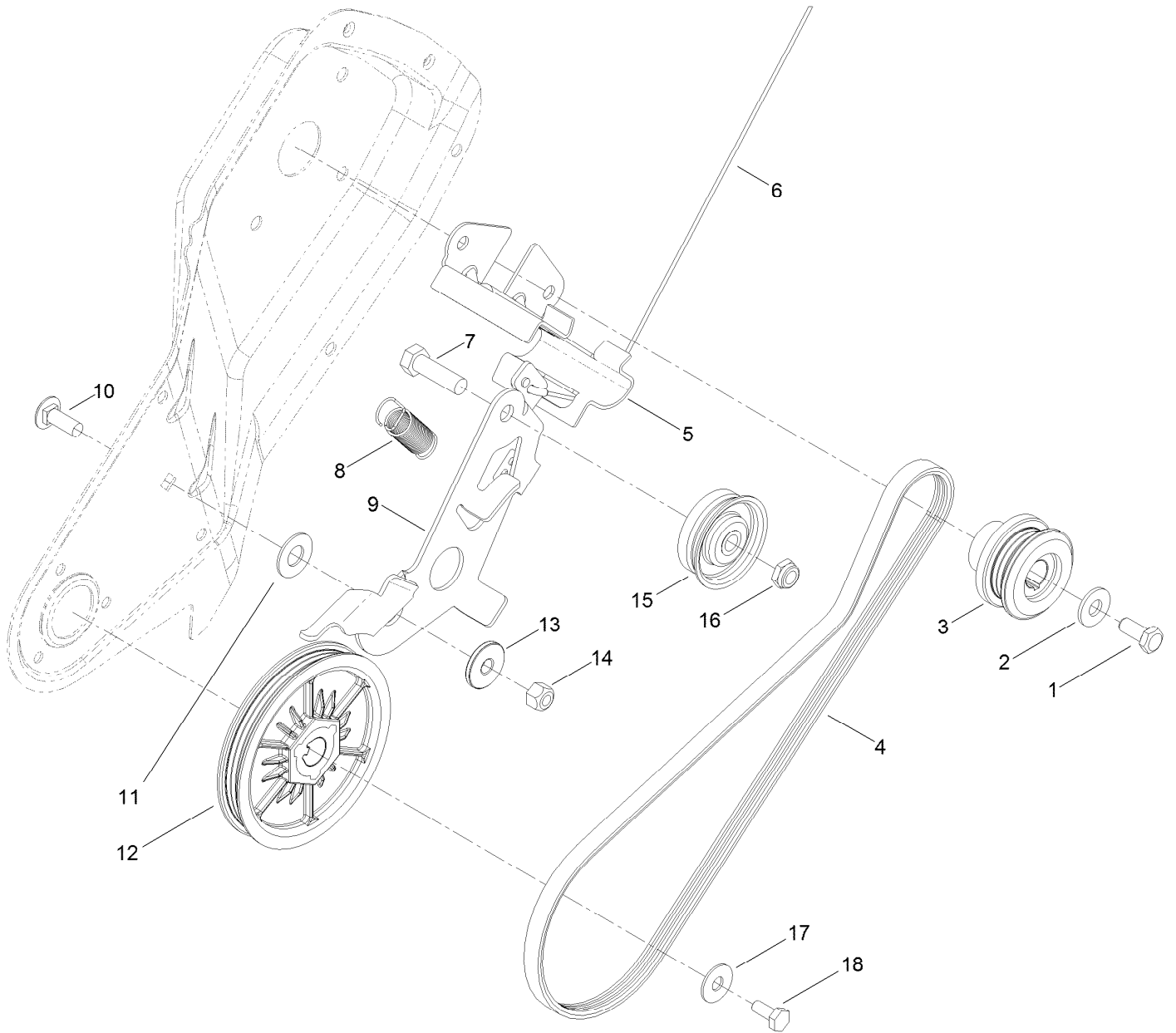
Rotor Drive Assembly



Rotor Drive Assembly (continued)

| <i>Ref.</i> | <i>Part Number</i> | <i>Qty.</i> | <i>Description</i> | <i>Ref.</i> | <i>Part Number</i> | <i>Qty.</i> | <i>Description</i> |
|-------------|--------------------|-------------|--------------------|-------------|--------------------|-------------|--------------------|
| 1 | 117-7720 | 1 | Cap-Sideplate, RH | 6 | 84-1970 | 12 | Screw |
| 2 | 110-9380 | 1 | Screw-HWH | 7 | 117-7700 | 2 | Blade-Rotor |
| 3 | 100-1048 | 2 | Bearing-Ball | 8 | 117-2315-03 | 1 | Rotor ASM |
| 4 | 112-8105 | 2 | Flange-Bearing | 9 | 3296-56 | 12 | Nut-Lock, NI |
| 5 | 52-7280 | 2 | Washer-Thrust | | | | |

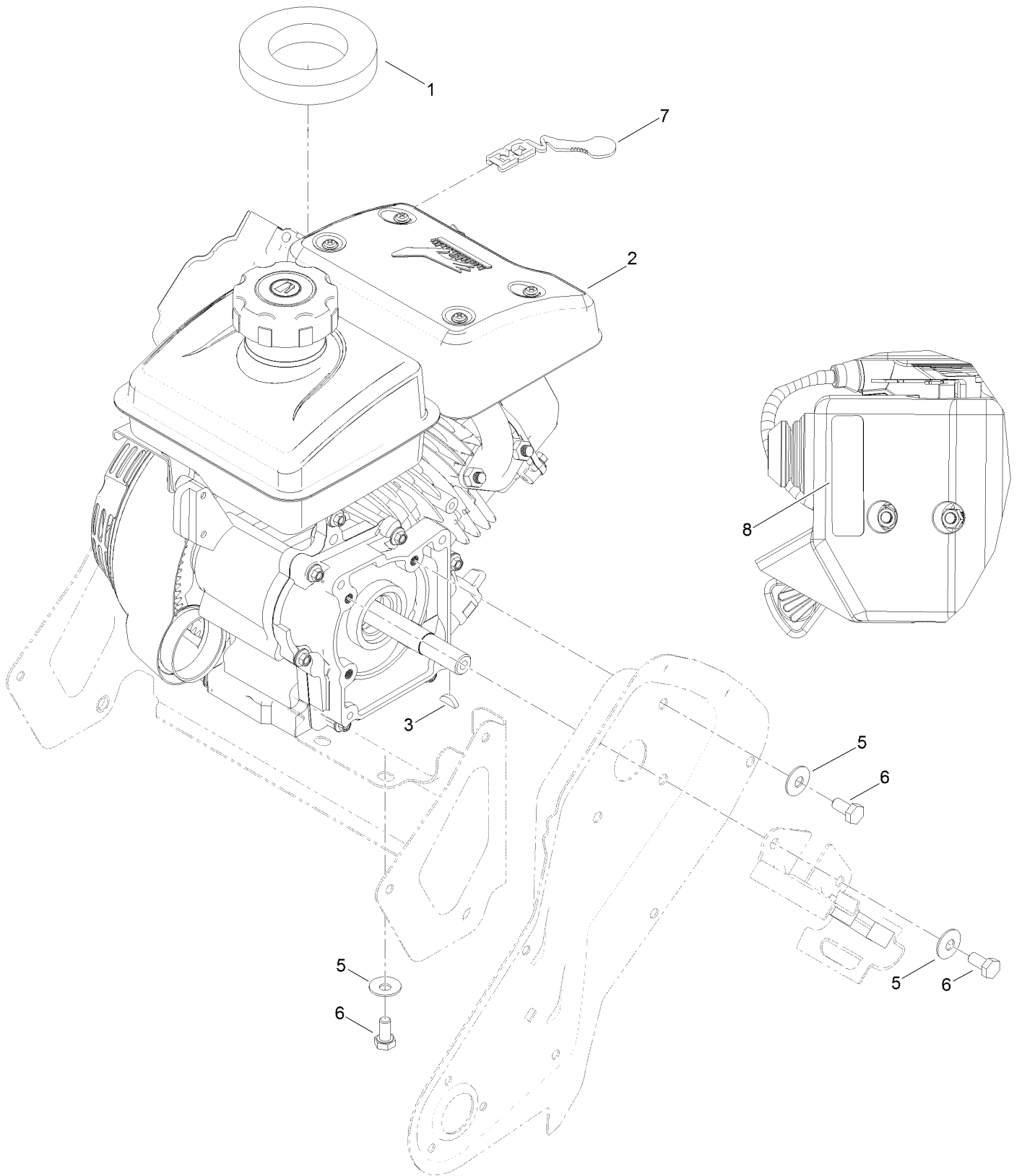
Belt and Drive Assembly



Belt and Drive Assembly (continued)

| <i>Ref.</i> | <i>Part Number</i> | <i>Qty.</i> | <i>Description</i> | <i>Ref.</i> | <i>Part Number</i> | <i>Qty.</i> | <i>Description</i> |
|-------------|--------------------|-------------|--------------------|-------------|--------------------|-------------|--------------------|
| 1 | 3235-6 | 1 | Screw-HH | 10 | 3230-10 | 1 | Bolt-CARR |
| 2 | 3256-71 | 1 | Washer-Flat | 11 | 25-5640 | 1 | Washer |
| 3 | 117-7734 | 1 | Pulley-Engine | 12 | 117-7732 | 1 | Rotor Pulley ASM |
| 4 | 117-7733 | 1 | Belt-V, Ribbed | 13 | 117-7711 | 1 | Bushing-Idler |
| 5 | 119-2907 | 1 | Guide-Belt | 14 | 3296-29 | 1 | Nut-Lock, NI |
| 6 | 117-7721 | 1 | Cable-Clutch | 15 | 117-9105 | 1 | Pulley-Idler |
| 7 | 323-44 | 1 | Screw-HH | 16 | 3296-59 | 1 | Nut-Lock, NI |
| 8 | 117-7715 | 1 | Spring-Brake | 17 | 3290-456 | 1 | Washer-Belleville |
| 9 | 117-7735 | 1 | Arm-Idler | 18 | 110-9381 | 1 | Screw-HH |

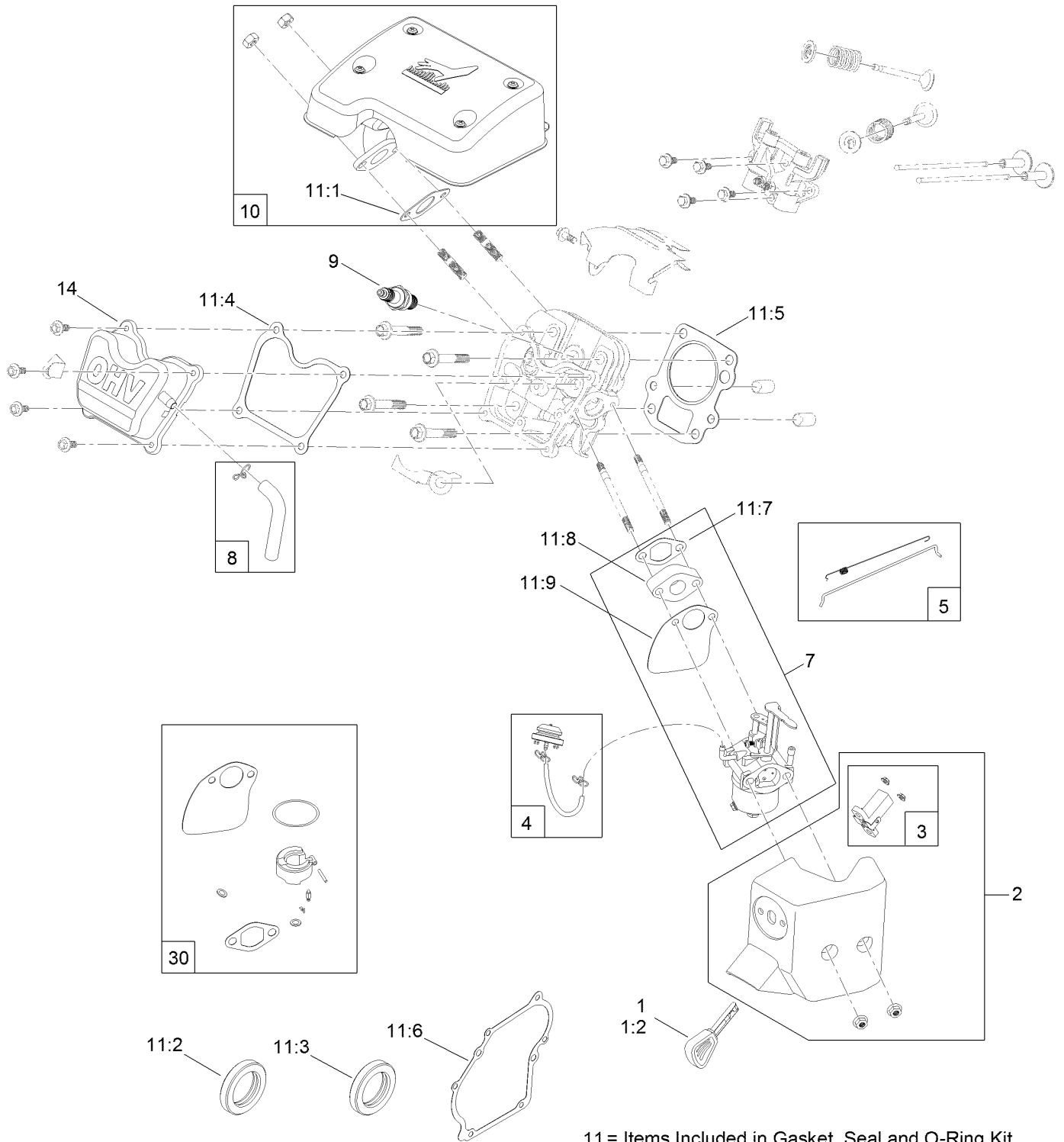
Engine Assembly



Engine Assembly (continued)

| <i>Ref.</i> | <i>Part Number</i> | <i>Qty.</i> | <i>Description</i> | <i>Ref.</i> | <i>Part Number</i> | <i>Qty.</i> | <i>Description</i> |
|-------------|--------------------|-------------|--------------------|-------------|--------------------|-------------|------------------------|
| 1 | 117-7723 | 1 | Seal-Tank | 6 | 33114-016 | 6 | Screw-HH |
| 2 | 121-4230 | 1 | Engine-156Fs | 7 | 117-7727 | 1 | Lever-Choke |
| 3 | 3257-3 | 1 | Key-Woodruff | 8 | 120-0149 | 1 | Decal-Controls, Engine |
| 5 | 3290-456 | 6 | Washer-Belleville | | | | |

Engine Assembly No. 1



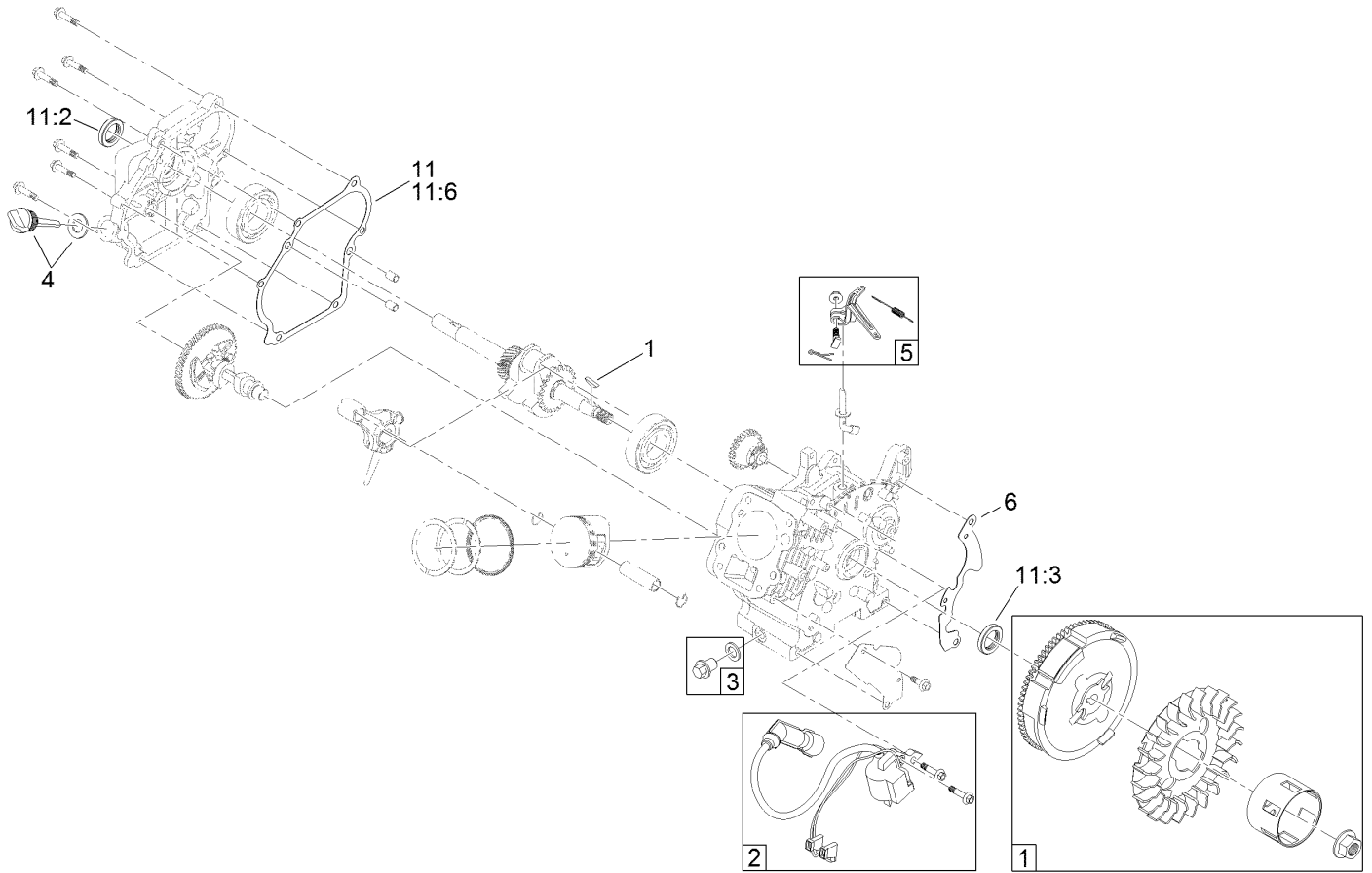
11 = Items Included in Gasket, Seal and O-Ring Kit

Engine Assembly No. 1 (continued)

| <i>Ref.</i> | <i>Part Number</i> | <i>Qty.</i> | <i>Description</i> | <i>Ref.</i> | <i>Part Number</i> | <i>Qty.</i> | <i>Description</i> |
|-------------|--------------------|-------------|-----------------------------|-------------|--------------------|-------------|---------------------------|
| 1 | 119-1929 | 1 | Key And Lanyard Kit | 11:1 | | 1 | Gasket-Exhaust ● |
| 1:2 | 117-7728 | 2 | Key | 11:2 | | 1 | Seal-Oil ● |
| 2 | 119-1982 | 1 | Heater Box Kit | 11:3 | | 1 | Seal-Oil ● |
| 3 | 119-1932 | 1 | Switch Kit | 11:4 | 121-0110 | 1 | Gasket-Cover, Valve |
| 4 | 119-1981 | 1 | Primer Bulb Kit | 11:5 | | 1 | Gasket-Head, Cylinder ● |
| 5 | 127-9074 | 1 | Governor Kit | 11:6 | | 1 | Gasket-Cover, Crankcase ● |
| 7 | 127-9053 | 1 | Complete Carb Service Kit | 11:7 | | 1 | Gasket-Insulator ● |
| 8 | 119-1921 | 1 | Breather Tube Kit | 11:8 | | 1 | Insulator-Carburetor ● |
| 9 | 119-1961 | 1 | Spark Plug | 11:9 | | 1 | Gasket-Carburetor ● |
| 10 | 119-1938 | 1 | Muffler Kit | 14 | 121-0466 | 1 | Valve Cover ASM |
| 11 | 127-9073 | 1 | Gasket, Seal And O-Ring Kit | 30 | 127-9158 | 1 | Carburetor Repair Kit |

● Not serviced separately

Engine Assembly No. 2

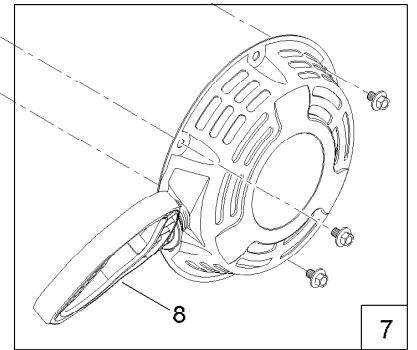
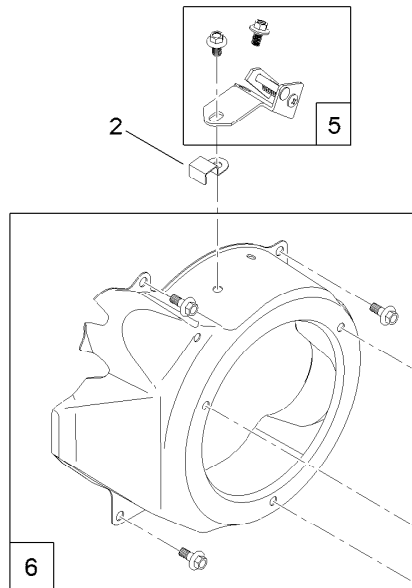
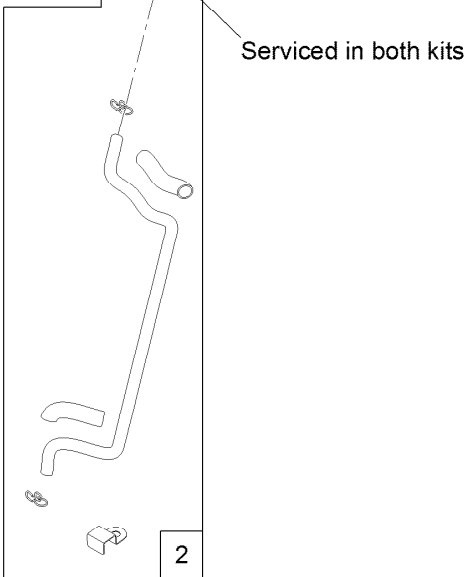
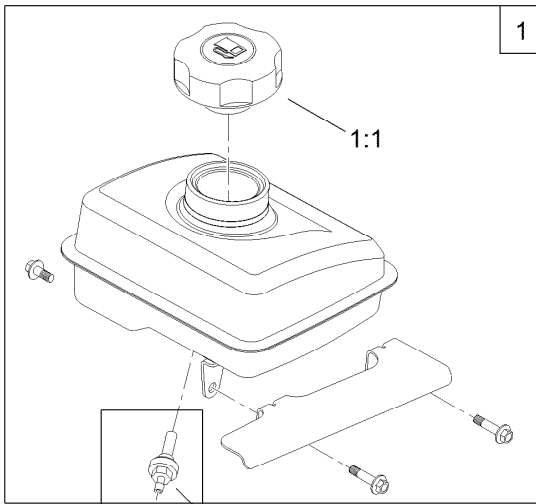


Engine Assembly No. 2 (continued)

| <i>Ref.</i> | <i>Part Number</i> | <i>Qty.</i> | <i>Description</i> | <i>Ref.</i> | <i>Part Number</i> | <i>Qty.</i> | <i>Description</i> |
|-------------|--------------------|-------------|-----------------------------|-------------|--------------------|-------------|---------------------------|
| 1 | 119-1962 | 1 | Flywheel And Fan Kit | 11:2 | | 1 | Seal-Oil ● |
| 2 | 119-1960 | 1 | Ignition Kit | 11:3 | | 1 | Seal-Oil ● |
| 3 | 119-1923 | 1 | Drain Plug Kit | 11:4 | 121-0110 | 1 | Gasket-Cover, Valve |
| 4 | 119-1922 | 1 | Dipstick And O-Ring Kit | 11:5 | | 1 | Gasket-Head, Cylinder ● |
| 5 | 127-9074 | 1 | Governor Kit | 11:6 | | 1 | Gasket-Cover, Crankcase ● |
| 6 | 119-1927 | 1 | Blower Shroud Kit | 11:7 | | 1 | Gasket-Insulator ● |
| 11 | 127-9073 | 1 | Gasket, Seal And O-Ring Kit | 11:8 | | 1 | Insulator-Carburetor ● |
| 11:1 | | 1 | Gasket-Exhaust ● | 11:9 | | 1 | Gasket-Carburetor ● |

● Not serviced separately

Engine Assembly No. 3

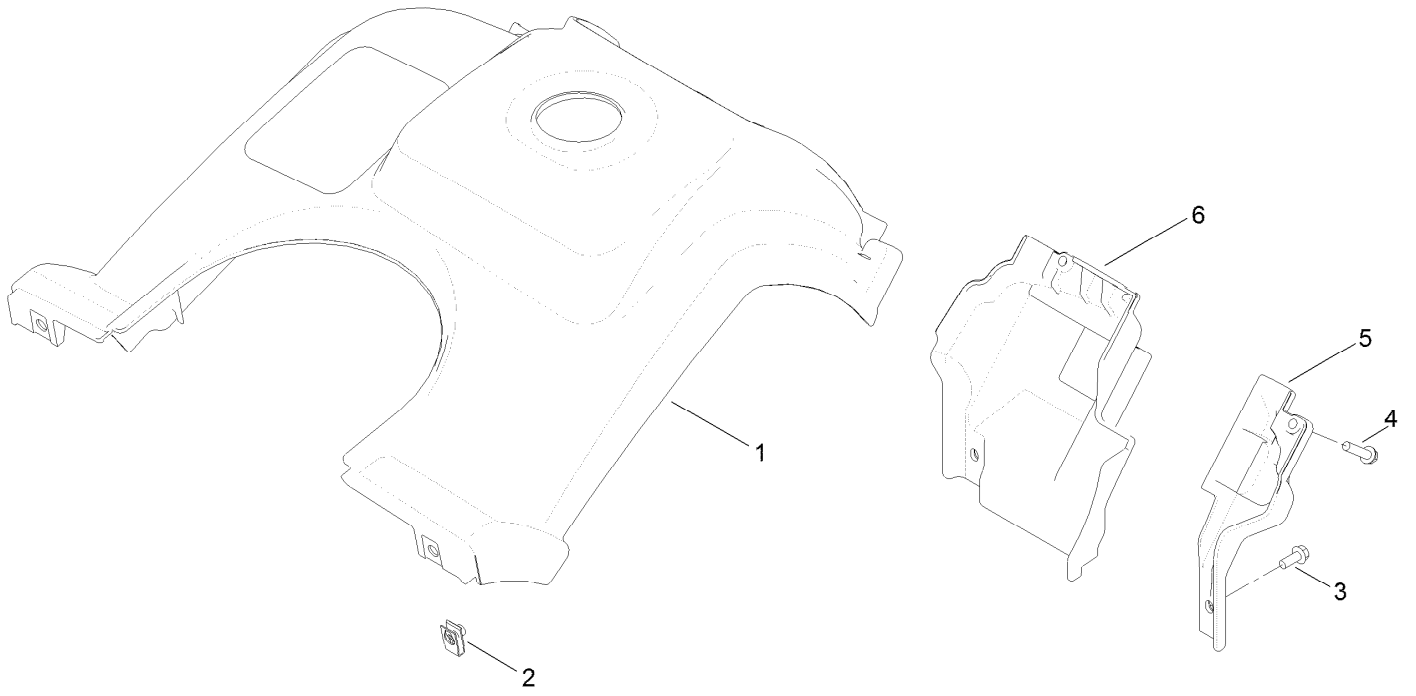


Engine Assembly No. 3 (continued)

| <i>Ref.</i> | <i>Part Number</i> | <i>Qty.</i> | <i>Description</i> |
|-------------|--------------------|-------------|-----------------------|
| 1 | 127-9075 | 1 | Fuel Tank And Cap Kit |
| 1:1 | 121-0257 | 1 | Cap-Fuel |
| 2 | 127-9072 | 1 | Fuel Line Kit |
| 5 | 127-9074 | 1 | Governor Kit |

| <i>Ref.</i> | <i>Part Number</i> | <i>Qty.</i> | <i>Description</i> |
|-------------|--------------------|-------------|--------------------|
| 6 | 119-1927 | 1 | Blower Shroud Kit |
| 7 | 119-1925 | 1 | Recoil ASM Kit |
| 8 | 119-1924 | 1 | Mitten Grip Kit |

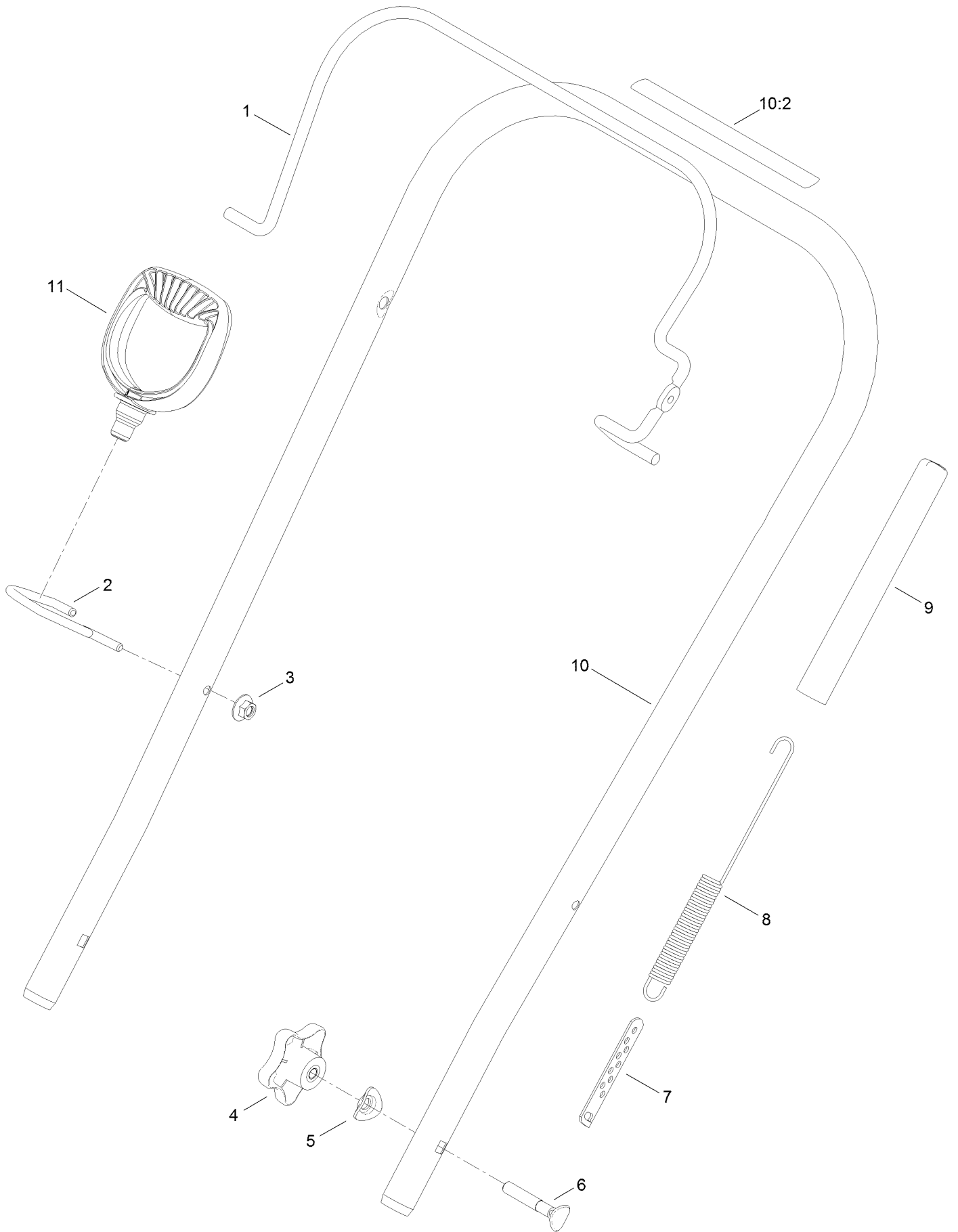
Shroud Assembly



Shroud Assembly (continued)

| <i>Ref.</i> | <i>Part Number</i> | <i>Qty.</i> | <i>Description</i> | <i>Ref.</i> | <i>Part Number</i> | <i>Qty.</i> | <i>Description</i> |
|-------------|--------------------|-------------|--------------------|-------------|--------------------|-------------|--------------------|
| 1 | 127-5968 | 1 | Shroud ASM | 4 | 46-8094 | 2 | Screw-Plastic |
| 2 | 107069 | 2 | Clip | 5 | 117-7719 | 1 | Shroud-Lower, LH |
| 3 | 32144-85 | 2 | Screw-HWH | 6 | 117-7729 | 1 | Shroud-Lower, RH |

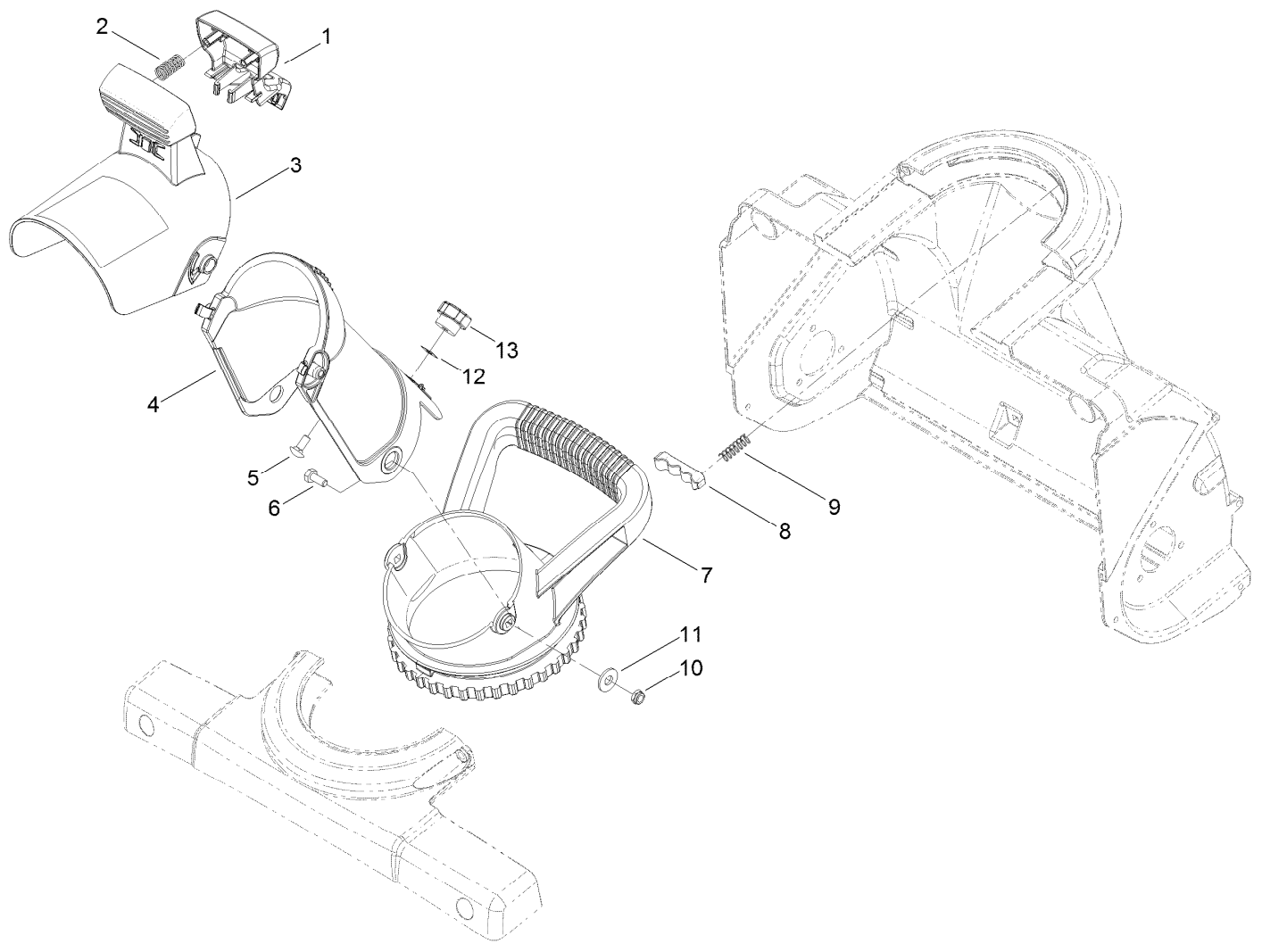
Handle Assembly



Handle Assembly (continued)

| <i>Ref.</i> | <i>Part Number</i> | <i>Qty.</i> | <i>Description</i> | <i>Ref.</i> | <i>Part Number</i> | <i>Qty.</i> | <i>Description</i> |
|-------------|--------------------|-------------|--------------------|-------------|--------------------|-------------|------------------------|
| 1 | 117-7718-03 | 1 | Bail-Clutch | 7 | 71-5330 | 1 | Adjuster-Cable, Clutch |
| 2 | 120-9804 | 1 | Guide-Rope | 8 | 119-2913 | 1 | Spring-Clutch |
| 3 | 114-3778 | 1 | Nut-HF | 9 | 114-3796 | 1 | Cover-Spring |
| 4 | 106-4161 | 2 | Knob-Handle | 10 | 117-7743 | 1 | Upper Handle ASM |
| 5 | 107-3844 | 2 | Washer | 10:2 | 117-7713 | 1 | Decal-Safety |
| 6 | 92-2260 | 2 | Screw-Handle | 11 | 117-9104 | 1 | Handle-Recoil |

Deflector Chute Control Assembly



Deflector Chute Control Assembly (continued)

| <i>Ref.</i> | <i>Part Number</i> | <i>Qty.</i> | <i>Description</i> | <i>Ref.</i> | <i>Part Number</i> | <i>Qty.</i> | <i>Description</i> |
|-------------|--------------------|-------------|---------------------|-------------|--------------------|-------------|------------------------|
| 1 | 117-2314 | 1 | Trigger-Deflector | 8 | 75-9160 | 1 | Detent-Chute |
| 2 | 110-9360 | 2 | Spring-Compression | 9 | 75-9170 | 2 | Spring-Compression |
| 3 | 117-7742 | 1 | Chute Deflector ASM | 10 | 3296-56 | 2 | Nut-Lock, NI |
| 4 | 117-2312 | 1 | Chute-Discharge | 11 | 3256-81 | 2 | Washer-Flat |
| 5 | 3229-11 | 1 | Screw-CARR | 12 | 32115-15 | 1 | Pushnut-Retainer, Bolt |
| 6 | 321-3 | 2 | Screw-HH | 13 | 233-67 | 1 | Knob-Chute |
| 7 | 117-2345 | 1 | Handle-Chute | | | | |

Attachments and Accessories

For 38472 Power Clear 518 ZR Snowthrower

| Product Name | Model/Part |
|--|-------------------|
| High-Altitude Kit..... | 121-4239 |
| Engine Maintenance Kit..... | 138-0698 |
| Paddle Replacement Kit..... | 38266 |
| Case of 24 12-Ounce Bottles 5W30 Winter Oil | 38907 |
| Toro Snow Oil 0W30 Synthetic 20-Ounce Bottle | 38913 |

Notes:



Count on it.